



1163	POLES, HARDWARE, AND FRAMING	
Sheet 1 of 1	GUYING	
Rev: 08/01/20		

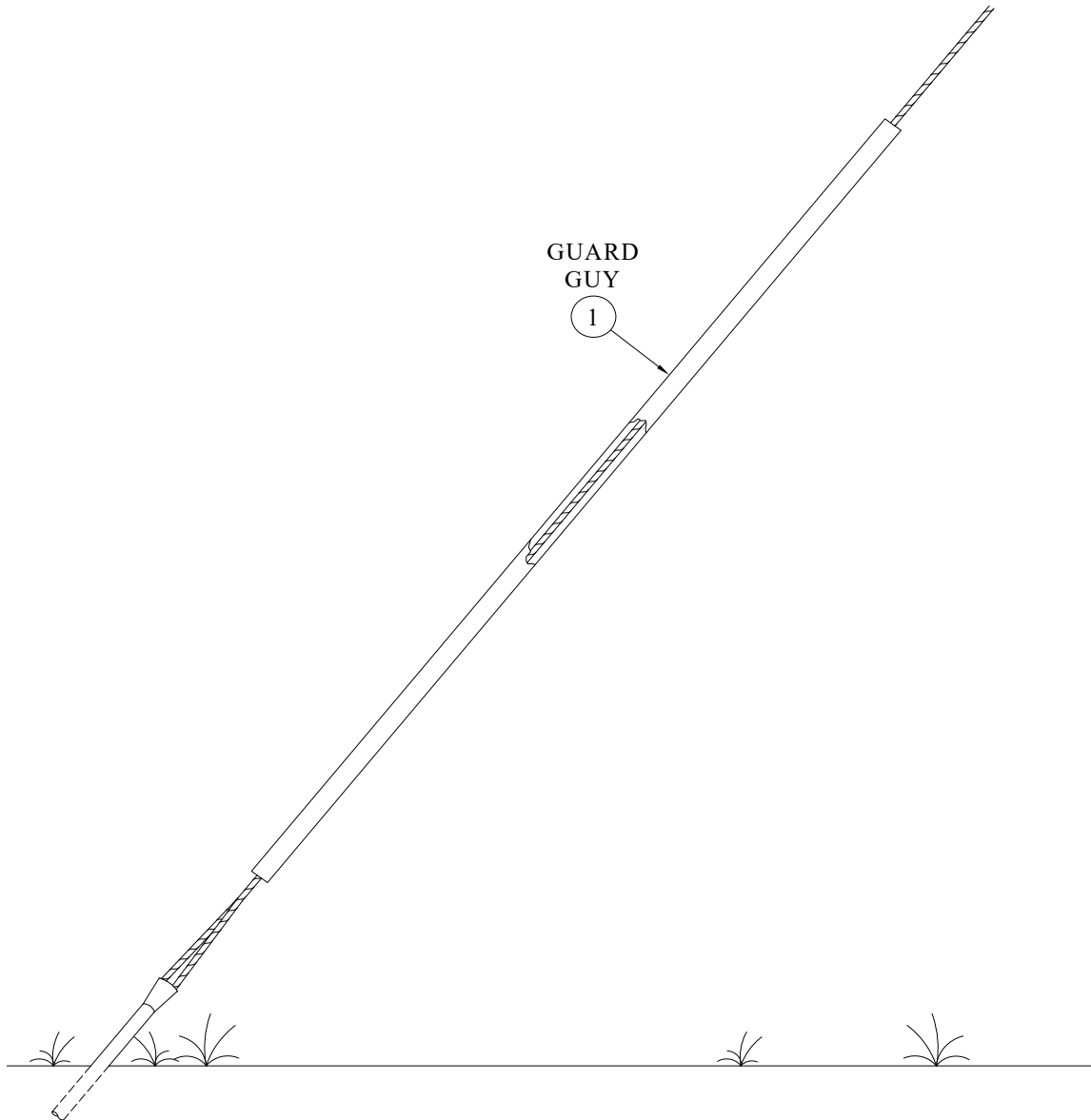
1163

GUYING


CONTAINS

- 1163-01 GUARD GUY**
- 1163-02 GUY WIRE EXTRA HIGH STRENGTH STEEL**
- 1163-03 DOWN GUY DEAD END AND AUTO SPLICES**
- 1163-04 GUY ATTACHMENT SINGLE**
- 1163-05 EYE PLATE GUY ATTACHMENT**
- 1163-06 ROD STRAIN 8 FT**
- 1163-07 BRACE STRUT - SIDEWALK**
- 1163-08 GROUND GUY WIRE**
- 1163-09 DOWN GUY SINGLE**
- 1163-10 DOWN GUY SINGLE W/8 FT ROD**
- 1163-11 DOWN GUY DOUBLE**
- 1163-12 DOWN GUY DOUBLE W/8FT ROD**
- 1163-13 DOWN GUY TRIPLE**
- 1163-14 DOWN GUY TRIPLE W/8FT ROD**
- 1163-16 DOWN GUY QUADRUPLE W/8FT ROD**
- 1163-21 SPAN GUY W/8FT ROD**
- 1163-30 DOWN GUY SIDEWALK**
- 1163-31 DOWN GUY SIDEWALK W/8FT ROD**

1163-01	POLES, HARDWARE, AND FRAMING GUYING GUARD GUY	
Sheet 1 of 2		
Rev: 08/01/20		




1163-01-01

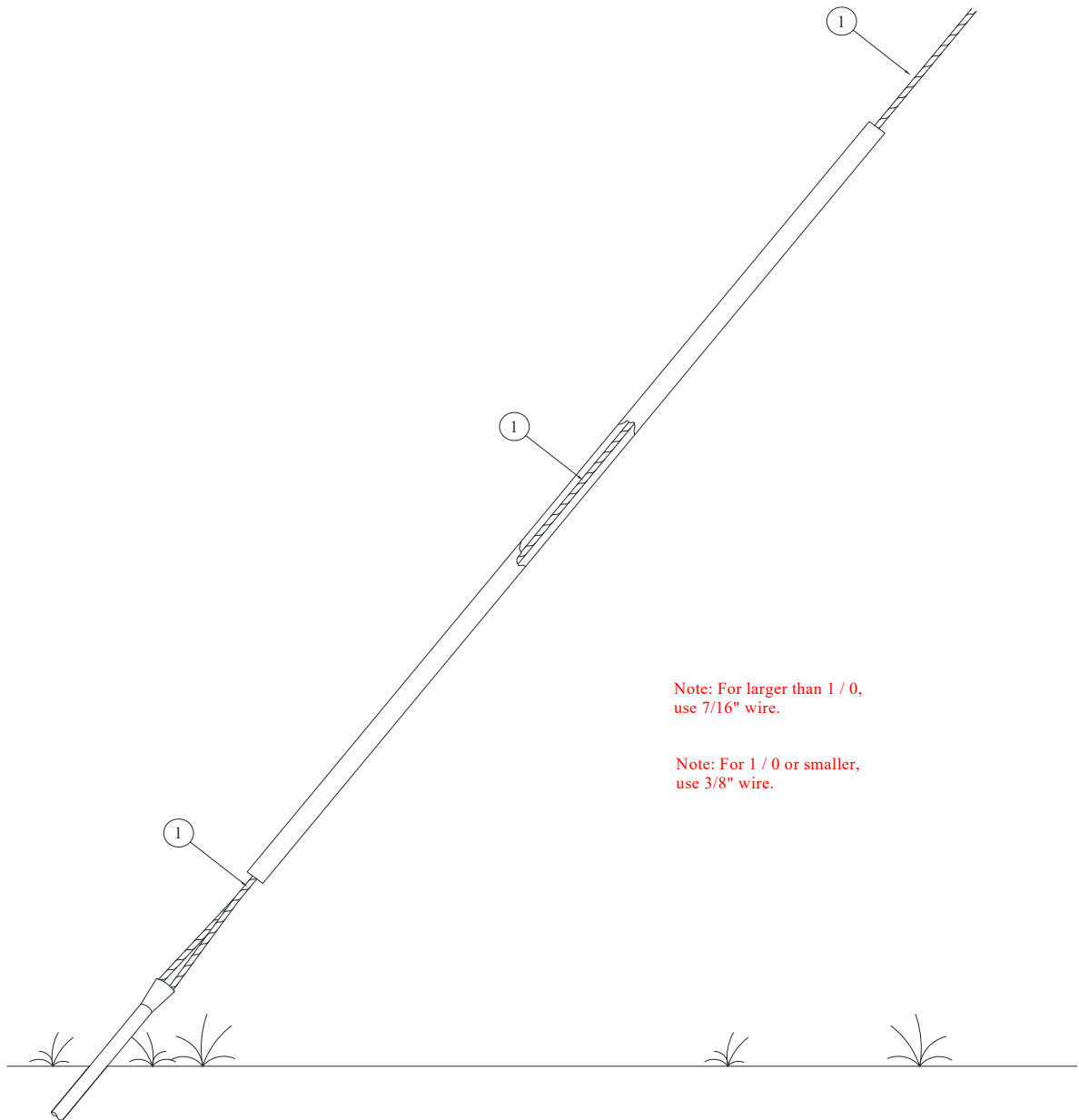
1163-01	POLES, HARDWARE, AND FRAMING GUYING GUARD GUY	
Sheet 2 of 2		
Rev: 08/01/20		

CU

CU-ID	CU-REF	CU-DESCRIPTION
GUYGUARD	11630101	GUYGUARD

ID	PART NUM	PART DESC	QTY	EA	CU-REF
1	0000006789	GUARD GUY WIRE PLASTIC YELLOW ROUND FOR 3/16 - 1/2 IN	1	EA	11630101


1163-02	POLES, HARDWARE, AND FRAMING GUYING GUY WIRE EXTRA HIGH STRENGTH STEEL	
Sheet 1 of 2		
Rev: 08/01/20		



Note: For larger than 1 / 0,
use 7/16" wire.

Note: For 1 / 0 or smaller,
use 3/8" wire.

1163-02-10 (3/8")
1163-02-20 (7/16")

1163-02	POLES, HARDWARE, AND FRAMING GUYING GUY WIRE EXTRA HIGH STRENGTH STEEL	
Sheet 2 of 2		
Rev: 08/01/20		

CU

CU-ID	CU-REF	CU-DESCRIPTION
--------------	---------------	-----------------------

GUYWIR3/8EHSS	11630210	GUY WIRE 3/8" IN EXTRA HIGH STRENGTH
---------------	----------	--------------------------------------

ID	PART NUM	PART DESC	QTY	CU-REF
1	0000001415	WIRE GUY 3/8 IN EXTRA HIGH STRENGTH 250 FT/COIL	1 FT	11630210

GUYWIR7/16EHSS	11630220	GUY WIRE 7/16" IN EXTRA HIGH STRENGTH
----------------	----------	---------------------------------------

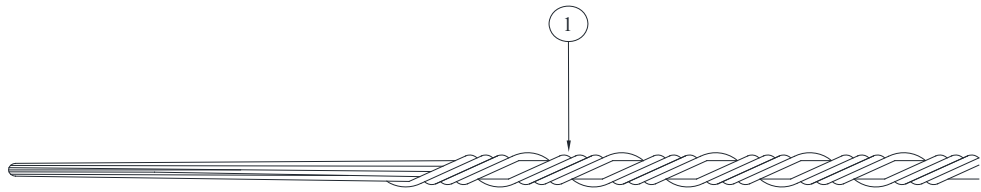
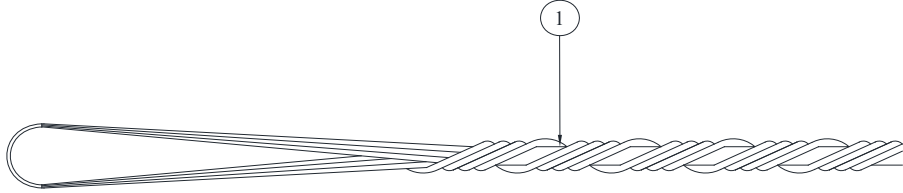
ID	PART NUM	PART DESC	QTY	CU-REF
1	0000000889	WIRE GUY 7/16 IN EXTRA HIGH STRENGTH 250 FT/COIL	1 FT	11630220

1163-03
Sheet 1 of 2
Rev: 08/01/20

POLES, HARDWARE, AND FRAMING

GUYING

DOWN GUY DEADEND AND AUTO SPLICES

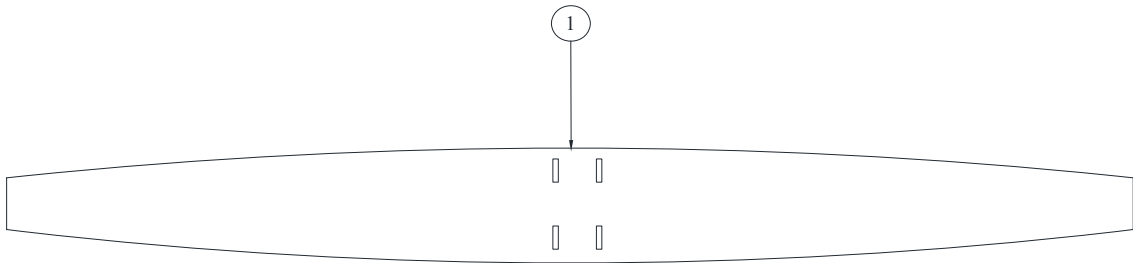


DEAD-END PREFORMED ATTACHMENT


1163-03-20	(3/8")
1163-03-21	(7/16")

DEAD-END ATTACHMENT	RATED STRENGTH
3/8"	13-86 KIPS
7/16"	18-72 KIPS

NOTE: 1 KIP = 1000 LBF



AUTOMATIC SPLICE FOR GUY WIRE

1163-03	POLES, HARDWARE, AND FRAMING GUYING DOWN GUY DEADEND AND AUTO SPLICES	
Sheet 2 of 2		
Rev: 08/01/20		

CU

CU-ID	CU-REF	CU-DESCRIPTION
--------------	---------------	-----------------------

DGPRF3/8GWR	11630320	DOWNGUY PREFORM 3/8 IN
-------------	----------	------------------------

ID	PART NUM	PART DESC	QTY	EA	CU-REF
1	0000004649	DEADEND FORMED WIRE 3/8 IN GUY GALVANIZED CLR CD ORANGE	1	EA	11630320

DGPRF7/16GWR	11630321	DOWNGUY PREFORM 7/16 IN
--------------	----------	-------------------------

ID	PART NUM	PART DESC	QTY	EA	CU-REF
1	0000004650	DEADEND FORMED WIRE 7/16 IN GUY GALVANIZED CLR CD GREEN	1	EA	11630321

DGSPLAUTO3/8GWR	11630340	DOWNGUY SPLICE AUTO FOR 3/8 IN GUY WIRE
-----------------	----------	---

ID	PART NUM	PART DESC	QTY	EA	CU-REF
1	0000015926	SPLICE AUTOMATIC FOR 3/8 IN GUY WIRE STRAIGHT	1	EA	11630340

DGSPLAUTO7/16GWR	11630341	DOWNGUY SPLICE AUTO FOR 7/16 GUY WIRE
------------------	----------	---------------------------------------

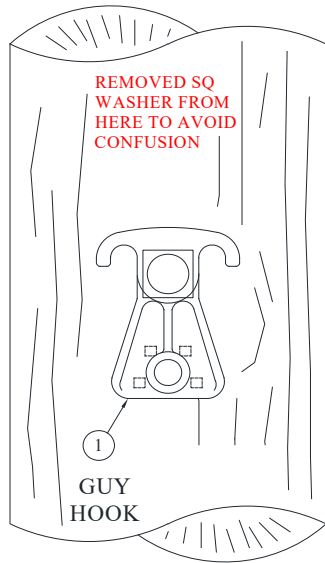
ID	PART NUM	PART DESC	QTY	EA	CU-REF
1	0000015927	SPLICE AUTOMATIC FOR 7/16 IN GUY WIRE STRAIGHT	1	EA	11630341

1163-04
Sheet 1 of 2
Rev: 08/01/20

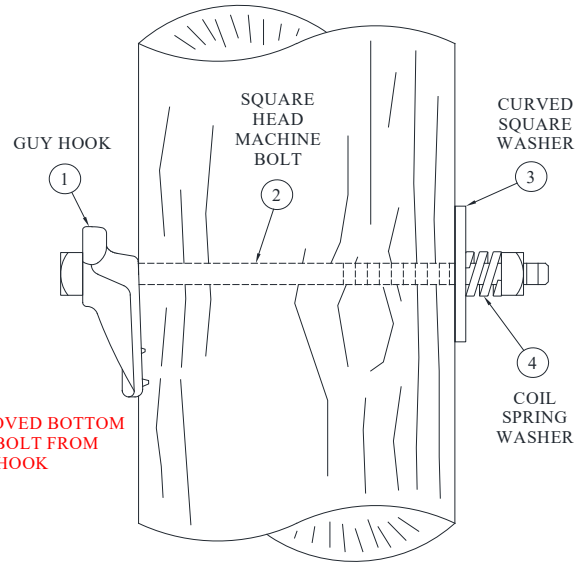
POLES, HARDWARE, AND FRAMING

GUYING

GUY ATTACHMENT SINGLE

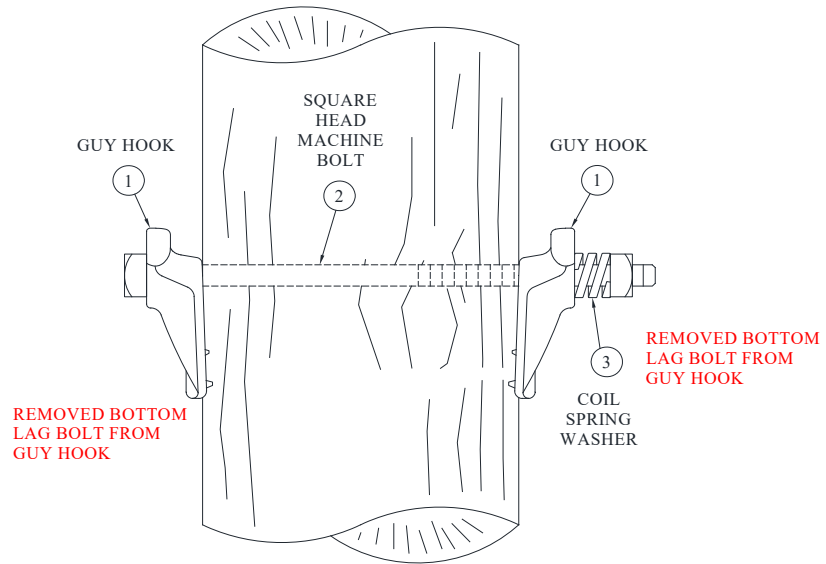


FRONT VIEW




SINGLE-SIDE VIEW

1163-04-10 (SINGLE)
1163-04-20 (DOUBLE)



DOUBLE-SIDE VIEW

1163-04	POLES, HARDWARE, AND FRAMING GUYING GUY ATTACHMENT SINGLE	
Sheet 2 of 2		
Rev: 08/01/20		

CU

CU-ID	CU-REF	CU-DESCRIPTION
--------------	---------------	-----------------------

GUYHOOKSGL3/8GW	11630410	GUY HOOK SGL FOR 3/8 IN GUY WIRE
-----------------	----------	----------------------------------

ID	PART NUM	PART DESC	QTY	EA	CU-REF
1	0000006530	GUY HOOK FOR WOOD POLES 5/8 IN BOLT	1	EA	11630410
2	0000008420	BOLT MACH SQ HEAD HOT DIP GALV G5 5/8 X 14	1	EA	11630410
3	0000008500	WASHER SQ CURVED HOT DIP GALV 3-1/4 X 3-1/4 X 1/4	1	EA	11630410
4	0000001236	WASHER COIL SPRING ZINC FOR 5/8 IN BOLT	1	EA	11630410

GUYHOOKDBL3/8GW	11630420	GUY HOOK DBL FOR 3/8 IN GUY WIRE
-----------------	----------	----------------------------------

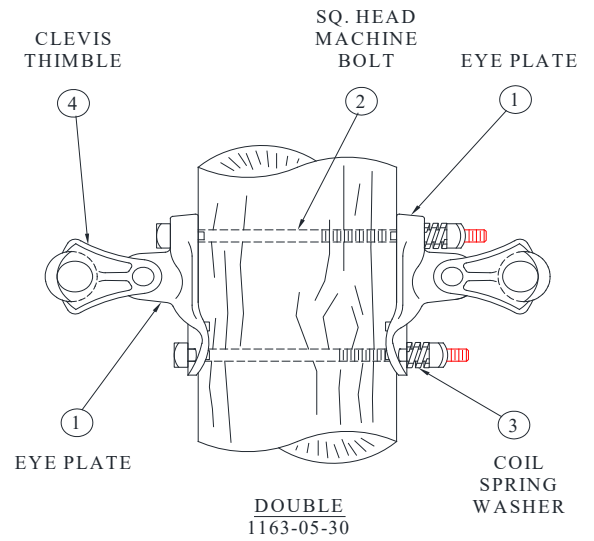
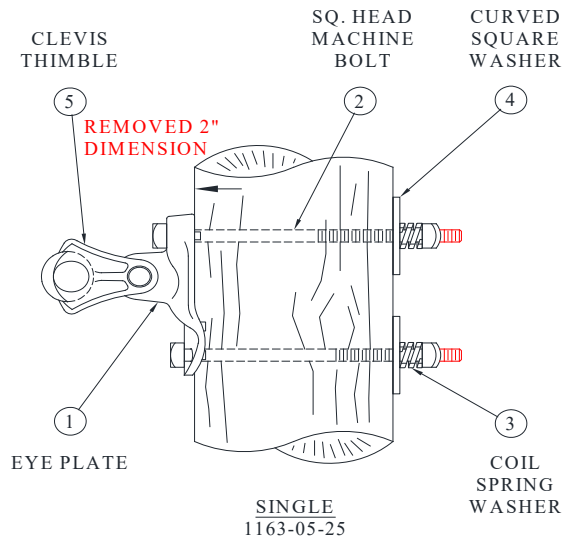
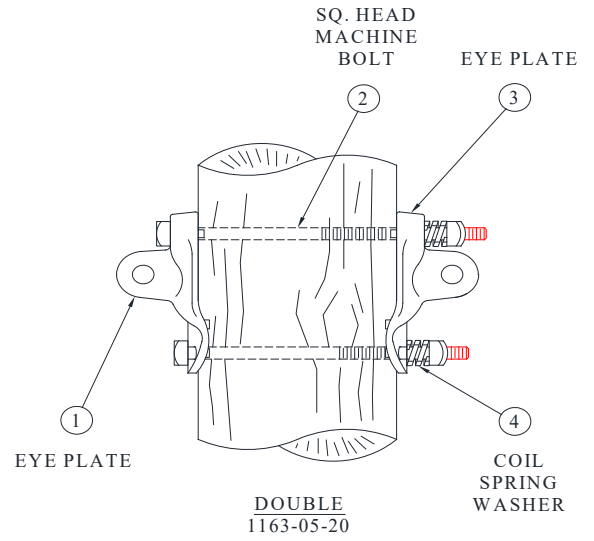
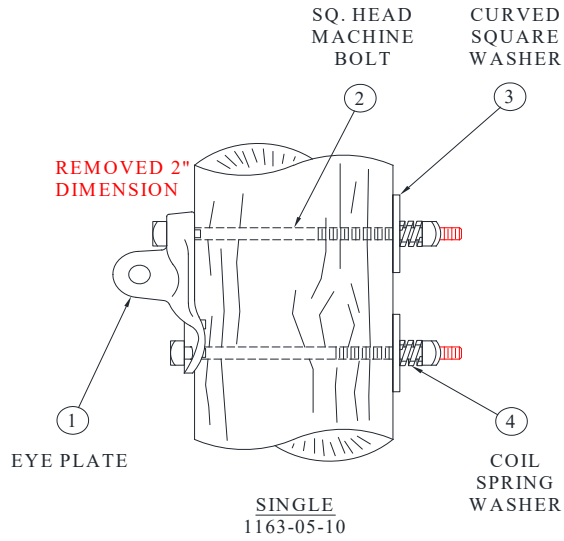
ID	PART NUM	PART DESC	QTY	EA	CU-REF
1	0000006530	GUY HOOK FOR WOOD POLES 5/8 IN BOLT	2	EA	11630420
2	0000008420	BOLT MACH SQ HEAD HOT DIP GALV G5 5/8 X 14	1	EA	11630420
3	0000001236	WASHER COIL SPRING ZINC FOR 5/8 IN BOLT	1	EA	11630420

1163-05
Sheet 1 of 2
Rev: 08/01/20

POLES, HARDWARE, AND FRAMING

GUYING

EYE PLATE GUY ATTACHMENT

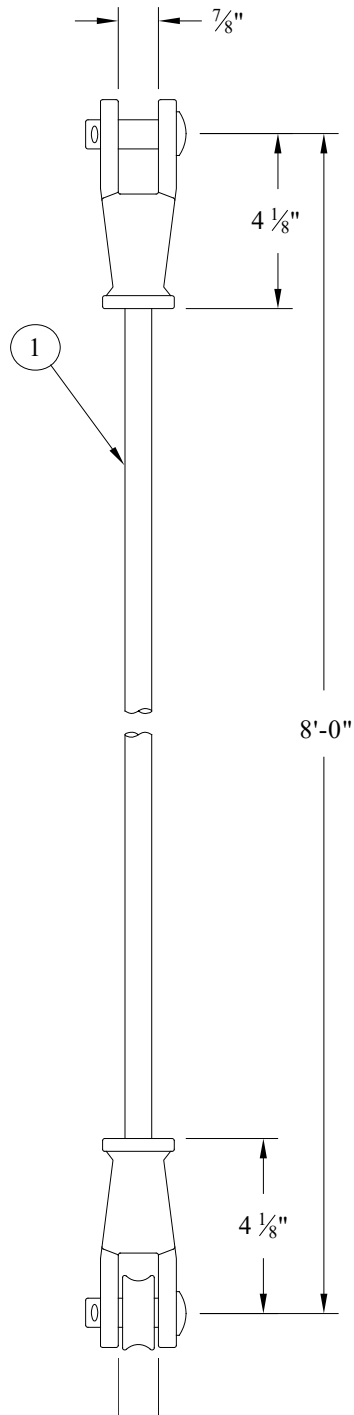



1163-06
Sheet 1 of 2
Rev: 08/01/20

POLES, HARDWARE, AND FRAMING

GUYING

ROD STRAIN 8FT



1163-06	POLES, HARDWARE, AND FRAMING GUYING ROD STRAIN 8FT	
Sheet 2 of 2		
Rev: 08/01/20		

CU

CU-ID	CU-REF	CU-DESCRIPTION
DGSTRROD8FT	11630610	DOWN GUY STRAIN ROD 8 FT

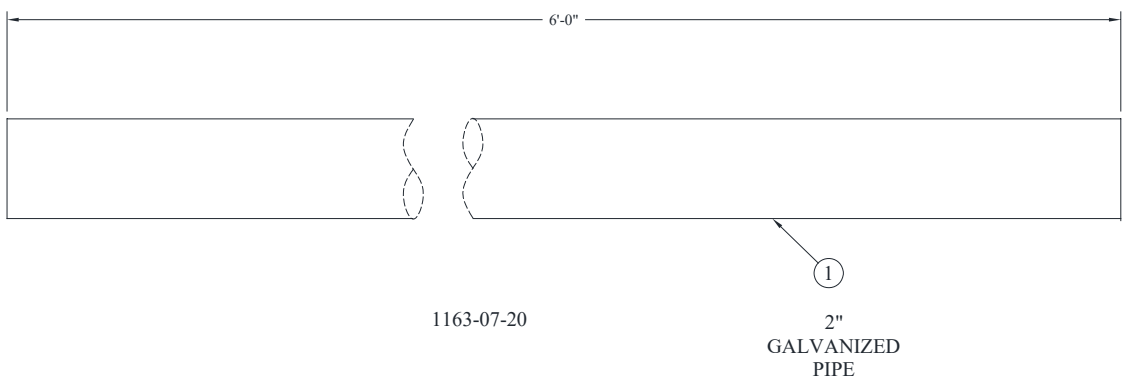
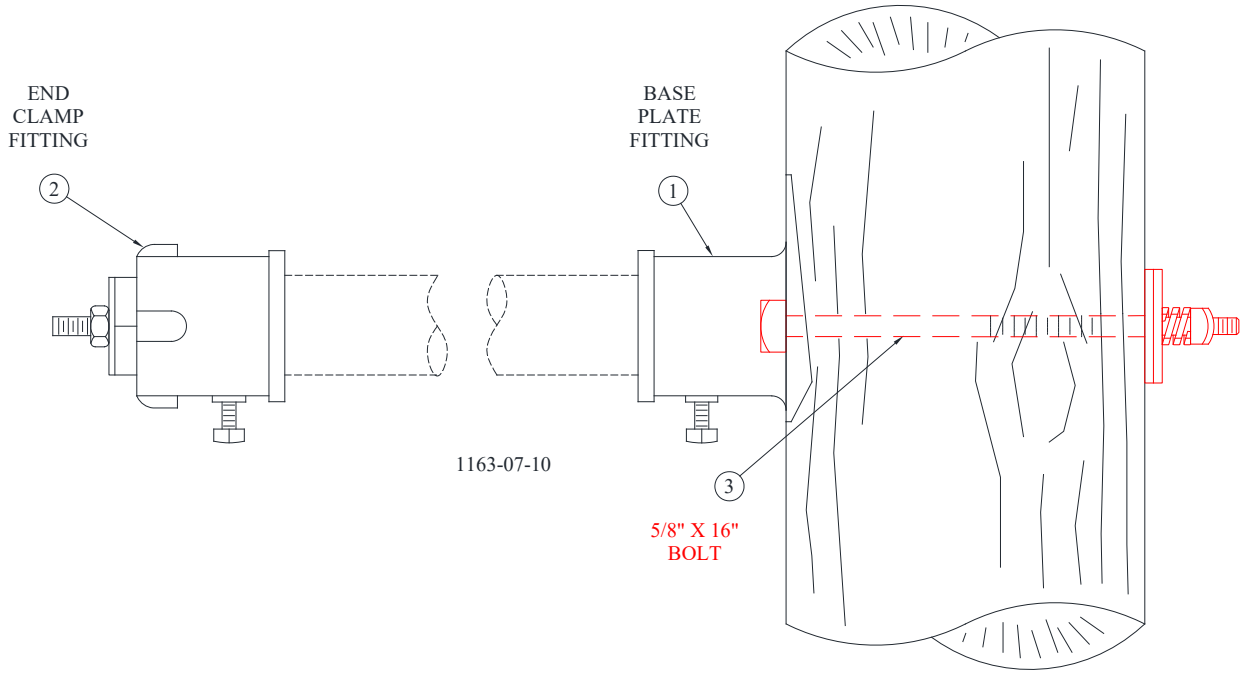
ID	PART NUM	PART DESC	QTY	CU-REF
1	0000006611	INSULATOR GUY STRAIN 5/8 IN 3/4 IN FG ROD 21000 LB 8 FT	1 EA	11630610


1163-07
Sheet 1 of 2
Rev: 08/01/20

POLES, HARDWARE, AND FRAMING

GUYING

BRACE STRUT - SIDEWALK



1163-07	POLES, HARDWARE, AND FRAMING GUYING BRACE STRUT - SIDEWALK	
Sheet 2 of 2		
Rev: 08/01/20		

CU

CU-ID	CU-REF	CU-DESCRIPTION
--------------	---------------	-----------------------

BRACESTRUTSIDEWALKGUY	11630710	BRACE STRUT FOR SIDEWALK GUY
-----------------------	----------	------------------------------

ID	PART NUM	PART DESC	QTY	EA	CU-REF
1	0000006784	GUY FITTING SIDEWALK BASE PLATE	1	EA	11630710
2	0000000920	GUY FITTING SIDEWALK CLAMP END FITTING GALV	1	EA	11630710
3	0000008443	BOLT LAG HOT DIP GALV FETTER DRIVE G5CT 1/2 X 4	3	EA	11630710
4	0000008421	BOLT MACH SQ HEAD HOT DIP GALV G5 5/8 X 16	1	EA	11630710

GLVPIPE2IN	11630720	GALVANIZED PIPE 2 IN
------------	----------	----------------------

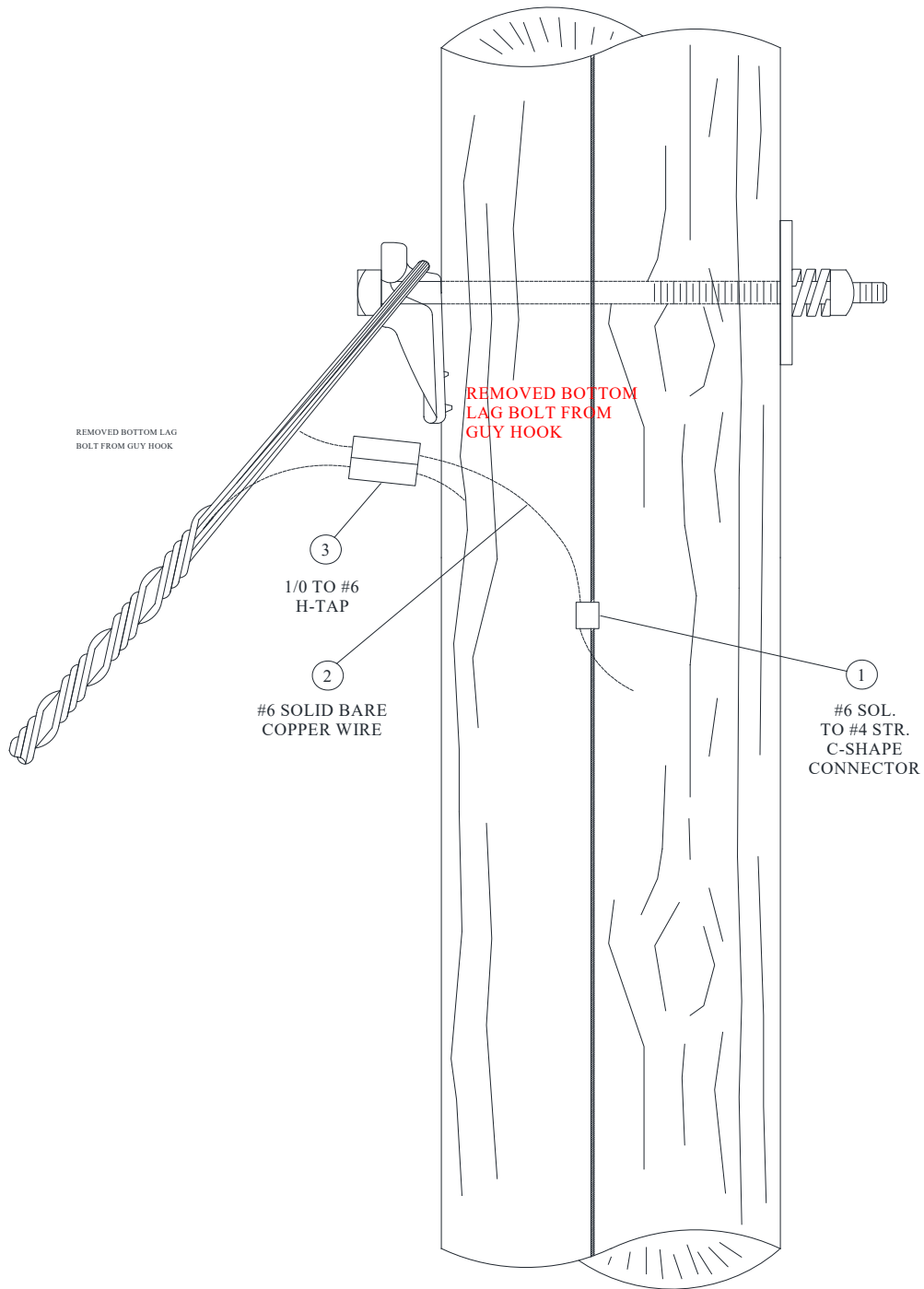
ID	PART NUM	PART DESC	QTY	EA	CU-REF
1	0000010548	PIPE GALV IRON 2 IN 21 FT LENGTH	10	EA	11630720

1163-08
Sheet 1 of 2
Rev: 08/01/20


POLES, HARDWARE, AND FRAMING

GUYING

GROUND GUY WIRE



1163-08-01

1163-08	POLES, HARDWARE, AND FRAMING	
Sheet 2 of 2	GUYING	
Rev: 08/01/20	GROUND GUY WIRE	

CU

CU-ID	CU-REF	CU-DESCRIPTION
GRDGUYWIRE	11630801	GROUND GUY WIRE

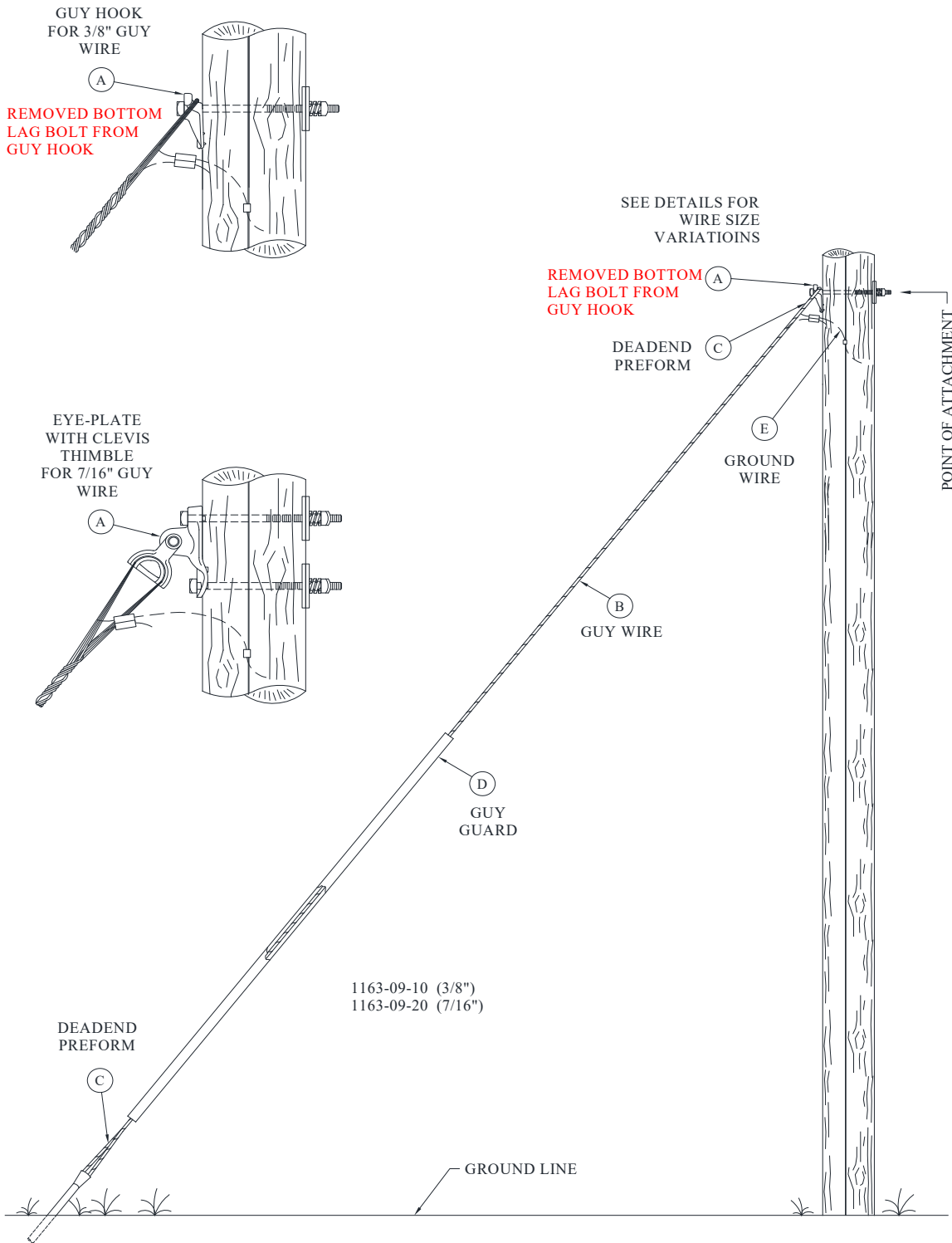
ID	PART NUM	PART DESC	QTY	EA	CU-REF
1	0000001301	CONNECTOR COMPRESSION C-SHAPE #6 SOL - #4 STR	1	EA	11630801
2	0000004527	WIRE COP BARE SOFT DRAWN #6	3	EA	11630801
3	0000005603	TAP COMP H TYPE 1/0 TO #6	1	EA	11630801


1163-09
Sheet 1 of 2
Rev: 08/01/20

POLES, HARDWARE, AND FRAMING

GUYING

DOWN GUY SINGLE



1163-09	POLES, HARDWARE, AND FRAMING GUYING DOWN GUY SINGLE	
Sheet 2 of 2		
Rev: 08/01/20		

MU

MU-ID	MU-REF	MU-DESCRIPTION
--------------	---------------	-----------------------

DGSGL3/8GWR	11630910	DG SGL 1-3/8" GW
-------------	----------	------------------

ID	CU-REF	CU-DESC	QTY	MU-REF
A	11630410	GUY HOOK SGL FOR 3/8 IN GUY WIRE	1	11630910
B	11630210	GUY WIRE 3/8" IN EXTRA HIGH STRENGTH	1	11630910
C	11630320	DOWNGUY PREFORM 3/8 IN	2	11630910
D	11630101	GUYGUARD	1	11630910
E	11630801	GROUND GUY WIRE	1	11630910

DGSGL7/16GWR	11630920	DG SGL 1-7/16" GW
--------------	----------	-------------------

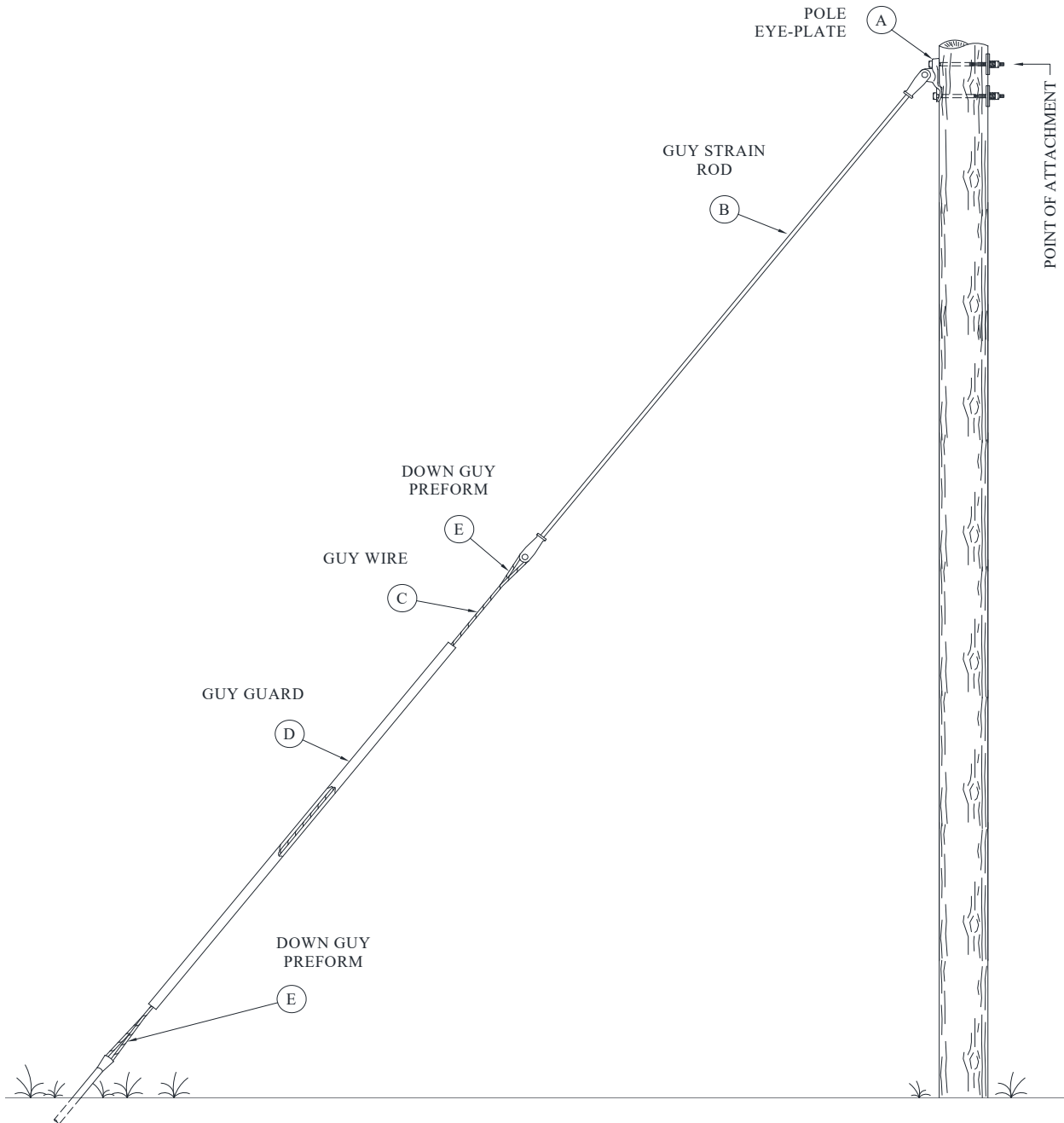
ID	CU-REF	CU-DESC	QTY	MU-REF
A	11630525	GUY EYE PLATE SGL W/CLEVIS THIMBLE	1	11630920
B	11630220	GUY WIRE 7/16" IN EXTRA HIGH STRENGTH	1	11630920
C	11630321	DOWNGUY PREFORM 7/16 IN	2	11630920
D	11630101	GUYGUARD	1	11630920
E	11630801	GROUND GUY WIRE	1	11630920

1163-10
Sheet 1 of 2
Rev: 08/01/20


POLES, HARDWARE, AND FRAMING

GUYING

DOWN GUY SINGLE W/8FT ROD



1163-10-10 (3/8")
 1163-10-20 (7/16")

1163-10	POLES, HARDWARE, AND FRAMING GUYING DOWN GUY SINGLE W/8FT ROD	
Sheet 2 of 2		
Rev: 08/01/20		

MU

MU-ID	MU-REF	MU-DESCRIPTION
--------------	---------------	-----------------------

DG SGL3/8GWR8FTRO	11631010	DG SGL 1-3/8" GW W/ROD
-------------------	----------	------------------------

ID	CU-REF	CU-DESC	QTY	MU-REF
A	11630510	GUY EYE PLATE SGL	1	11631010
B	11630610	DOWN GUY STRAIN ROD 8 FT	1	11631010
C	11630210	GUY WIRE 3/8" IN EXTRA HIGH STRENGTH	1	11631010
D	11630101	GUYGUARD	1	11631010
E	11630320	DOWNGUY PREFORM 3/8 IN	2	11631010

DG SGL7/16GWR8FTRO	11631020	DG SGL 1-7/16" GW W/ROD
--------------------	----------	-------------------------

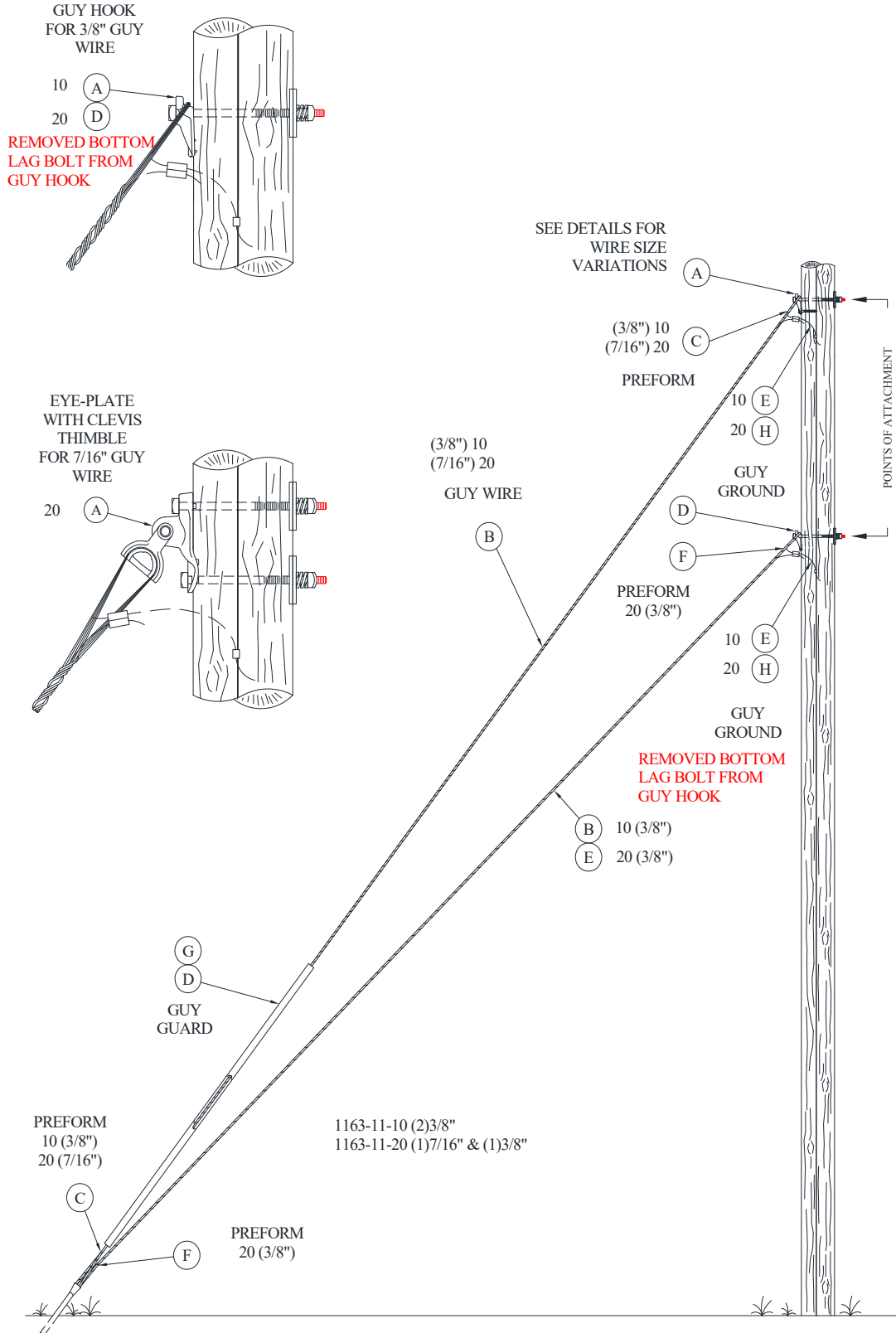
ID	CU-REF	CU-DESC	QTY	MU-REF
A	11630510	GUY EYE PLATE SGL	1	11631020
B	11630610	DOWN GUY STRAIN ROD 8 FT	1	11631020
C	11630220	GUY WIRE 7/16" IN EXTRA HIGH STRENGTH	1	11631020
D	11630101	GUYGUARD	1	11631020
E	11630321	DOWNGUY PREFORM 7/16 IN	2	11631020


1163-11
Sheet 1 of 2
Rev: 08/01/20

POLES, HARDWARE, AND FRAMING

GUYING

DOWN GUY DOUBLE



1163-11	POLES, HARDWARE, AND FRAMING	
Sheet 2 of 2	GUYING	
Rev: 08/01/20	DOWN GUY DOUBLE	

MU

MU-ID	MU-REF	MU-DESCRIPTION
--------------	---------------	-----------------------

DGDBL2-3/8GWR	11631110	DG DBL 2-3/8" GW
---------------	----------	------------------

ID	CU-REF	CU-DESC	QTY	MU-REF
A	11630410	GUY HOOK SGL FOR 3/8 IN GUY WIRE	2	11631110
B	11630210	GUY WIRE 3/8" IN EXTRA HIGH STRENGTH	2	11631110
C	11630320	DOWNGUY PREFORM 3/8 IN	4	11631110
D	11630101	GUYGUARD	1	11631110
E	11630801	GROUND GUY WIRE	2	11631110

DGDBL7/16-3/8GWR	11631120	DG DBL 1-7/16" AND 1-3/8" GW
------------------	----------	------------------------------

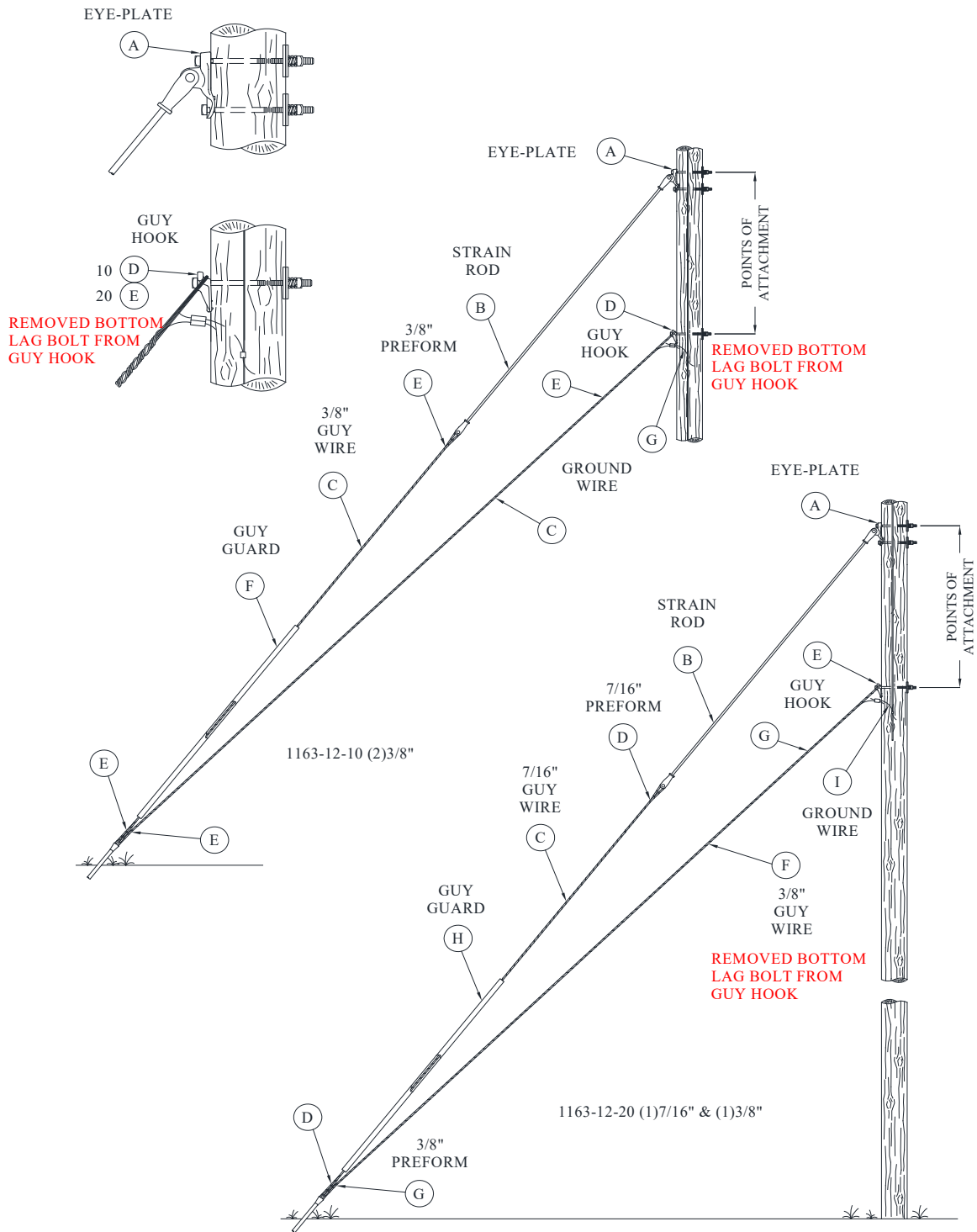
ID	CU-REF	CU-DESC	QTY	MU-REF
A	11630525	GUY EYE PLATE SGL W/CLEVIS THIMBLE	1	11631120
B	11630220	GUY WIRE 7/16" IN EXTRA HIGH STRENGTH	1	11631120
C	11630321	DOWNGUY PREFORM 7/16 IN	2	11631120
D	11630410	GUY HOOK SGL FOR 3/8 IN GUY WIRE	1	11631120
E	11630210	GUY WIRE 3/8" IN EXTRA HIGH STRENGTH	1	11631120
F	11630320	DOWNGUY PREFORM 3/8 IN	2	11631120
G	11630101	GUYGUARD	1	11631120
H	11630801	GROUND GUY WIRE	2	11631120

1163-12
Sheet 1 of 2
Rev: 08/01/20

POLES, HARDWARE, AND FRAMING

GUYING

DOWN GUY DOUBLE W/8 FT ROD

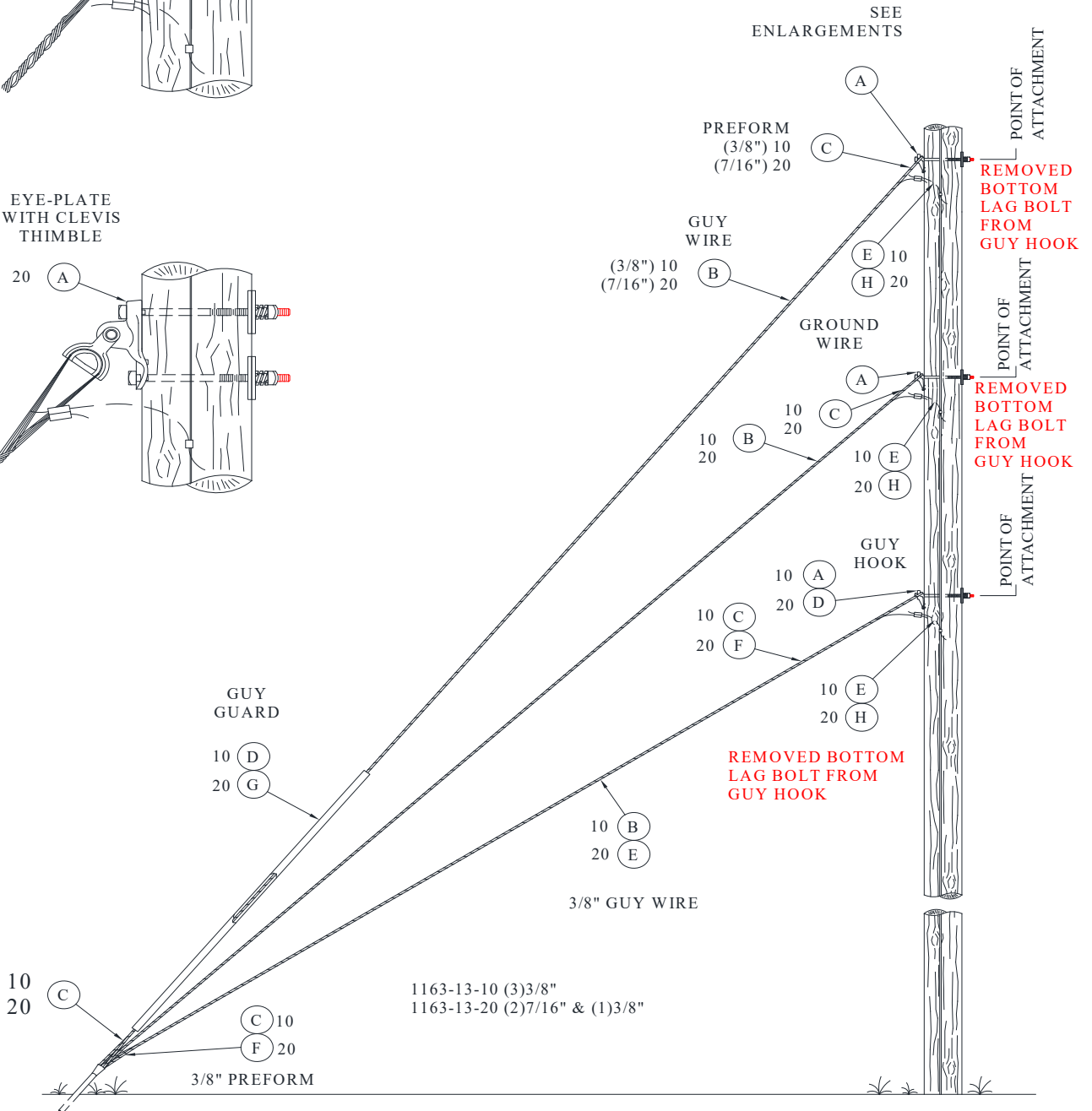
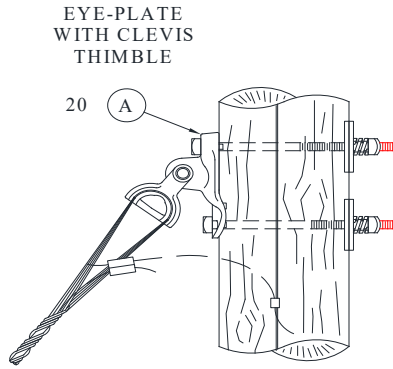
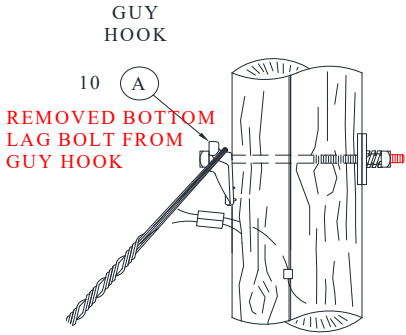


1163-13
Sheet 1 of 2
Rev: 08/01/20


POLES, HARDWARE, AND FRAMING

GUYING

DOWN GUY TRIPLE



1163-13-10 (3)3/8"
1163-13-20 (2)7/16" & (1)3/8"

1163-13	POLES, HARDWARE, AND FRAMING GUYING DOWN GUY TRIPLE	
Sheet 2 of 2		
Rev: 08/01/20		

MU

MU-ID	MU-REF	MU-DESCRIPTION
--------------	---------------	-----------------------

DGTPL3-3/8GWR	11631310	DG TPL 3-3/8" GW
---------------	----------	------------------

ID	CU-REF	CU-DESC	QTY	MU-REF
A	11630410	GUY HOOK SGL FOR 3/8 IN GUY WIRE	3	11631310
B	11630210	GUY WIRE 3/8" IN EXTRA HIGH STRENGTH	3	11631310
C	11630320	DOWNGUY PREFORM 3/8 IN	6	11631310
D	11630101	GUYGUARD	1	11631310
E	11630801	GROUND GUY WIRE	3	11631310

DGTPL2-7/16-3/8GWR	11631320	DG TPL 2-7/16" AND 1-3/8" GW
--------------------	----------	------------------------------

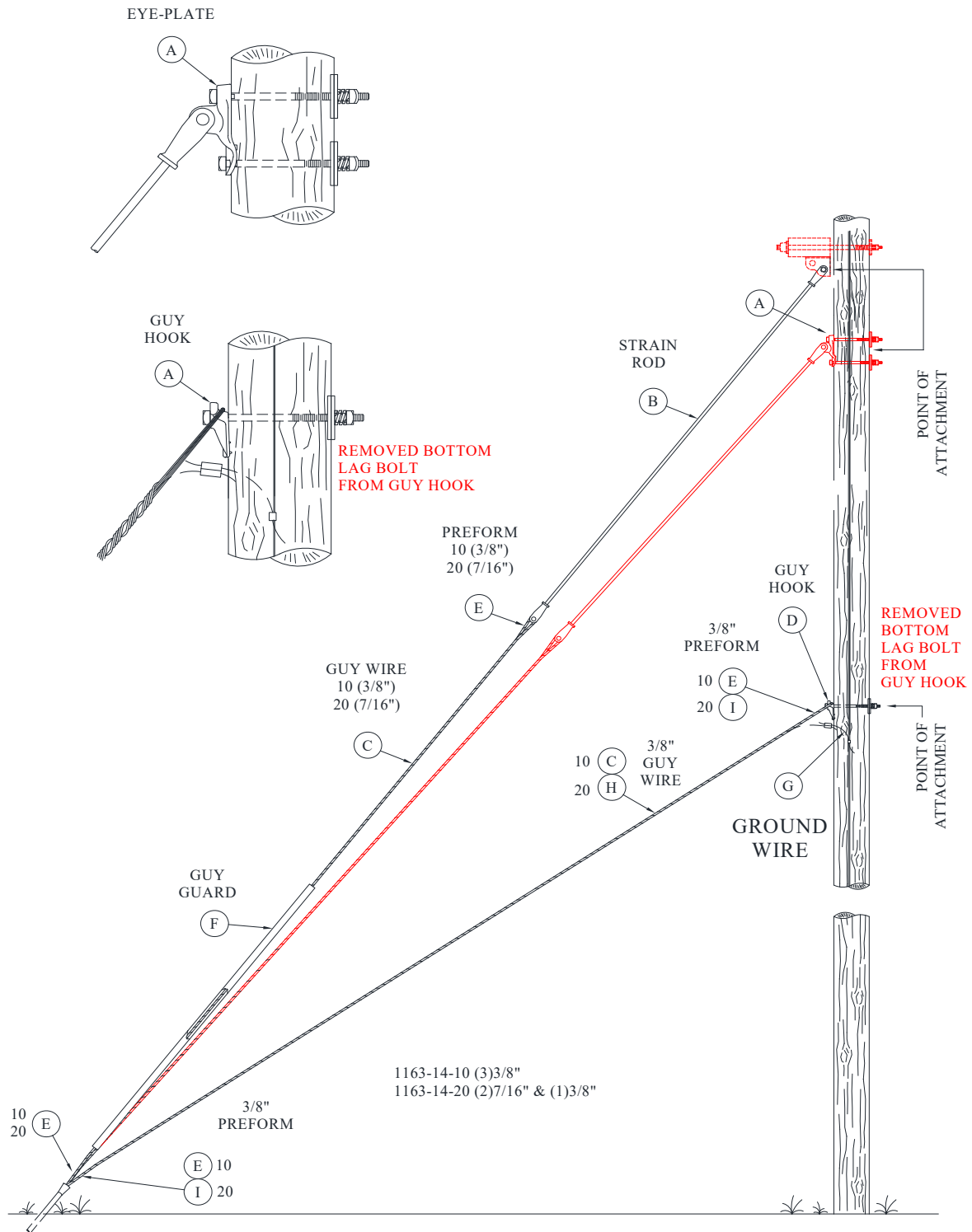
ID	CU-REF	CU-DESC	QTY	MU-REF
A	11630525	GUY EYE PLATE SGL W/CLEVIS THIMBLE	2	11631320
B	11630220	GUY WIRE 7/16" IN EXTRA HIGH STRENGTH	2	11631320
C	11630321	DOWNGUY PREFORM 7/16 IN	4	11631320
D	11630410	GUY HOOK SGL FOR 3/8 IN GUY WIRE	1	11631320
E	11630210	GUY WIRE 3/8" IN EXTRA HIGH STRENGTH	1	11631320
F	11630320	DOWNGUY PREFORM 3/8 IN	2	11631320
G	11630101	GUYGUARD	1	11631320
H	11630801	GROUND GUY WIRE	3	11631320


1163-14
Sheet 1 of 2
Rev: 08/01/20

POLES, HARDWARE, AND FRAMING

GUYING

DOWN GUY TRIPLE W/8FT ROD



1163-14	POLES, HARDWARE, AND FRAMING GUYING DOWN GUY TRIPLE W/8FT ROD	
Sheet 2 of 2		
Rev: 08/01/20		

MU

MU-ID	MU-REF	MU-DESCRIPTION
--------------	---------------	-----------------------

DGTPL3-3/8GWR8FTRO	11631410	DG TPL 3-3/8" GW W/ROD
--------------------	----------	------------------------

ID	CU-REF	CU-DESC	QTY	MU-REF
A	11630510	GUY EYE PLATE SGL	2	11631410
B	11630610	DOWN GUY STRAIN ROD 8 FT	2	11631410
C	11630210	GUY WIRE 3/8" IN EXTRA HIGH STRENGTH	3	11631410
D	11630410	GUY HOOK SGL FOR 3/8 IN GUY WIRE	1	11631410
E	11630320	DOWNGUY PREFORM 3/8 IN	6	11631410
F	11630101	GUYGUARD	1	11631410
G	11630801	GROUND GUY WIRE	1	11631410

DGTPL2-7/16-3/8GWR8FTRO	11631420	DG TPL 2-7/16" W/ROD AND 1-3/8" GW
-------------------------	----------	------------------------------------

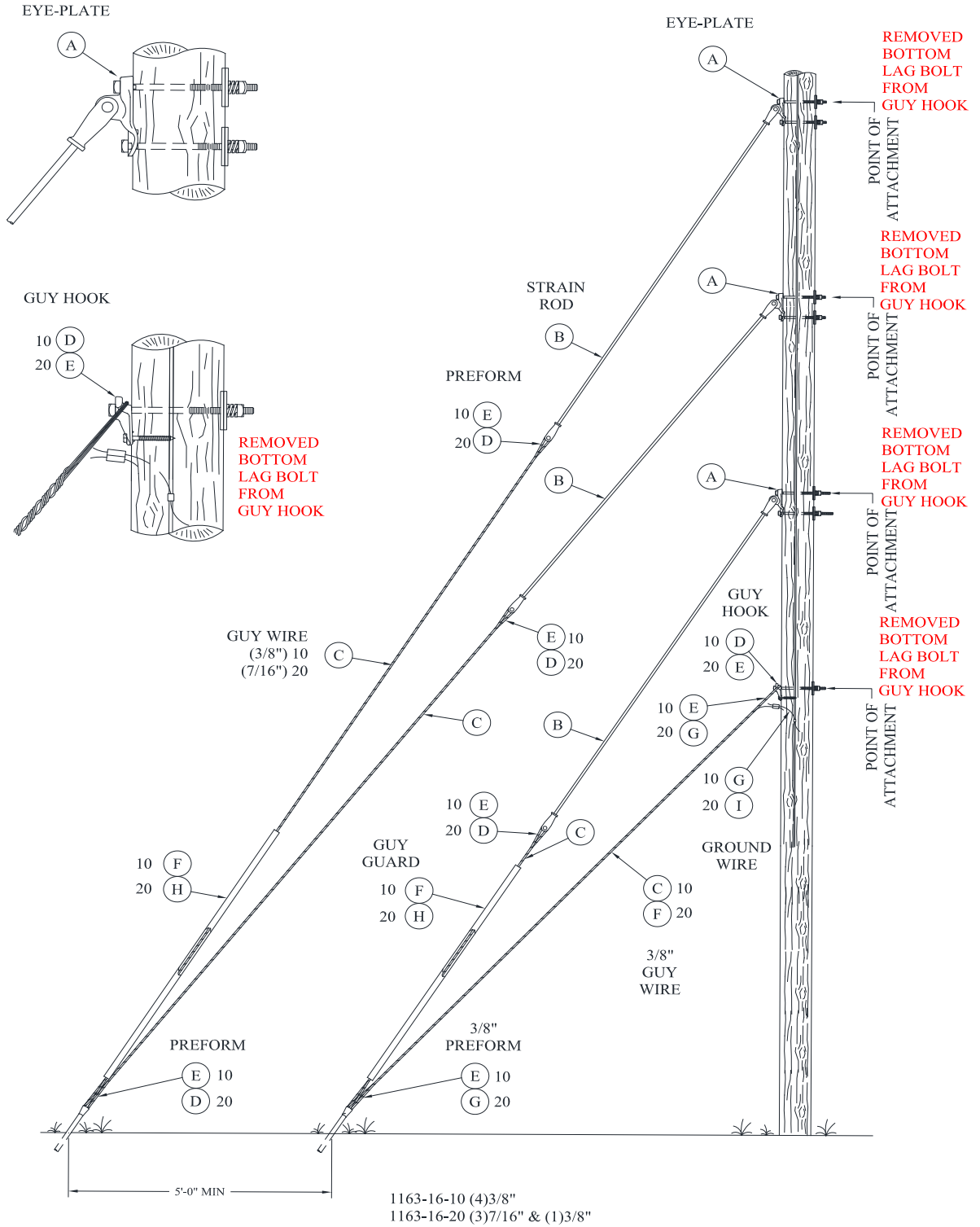
ID	CU-REF	CU-DESC	QTY	MU-REF
A	11630510	GUY EYE PLATE SGL	2	11631420
B	11630610	DOWN GUY STRAIN ROD 8 FT	2	11631420
C	11630220	GUY WIRE 7/16" IN EXTRA HIGH STRENGTH	2	11631420
D	11630410	GUY HOOK SGL FOR 3/8 IN GUY WIRE	1	11631420
E	11630321	DOWNGUY PREFORM 7/16 IN	4	11631420
F	11630101	GUYGUARD	1	11631420
G	11630801	GROUND GUY WIRE	3	11631420
H	11630210	GUY WIRE 3/8" IN EXTRA HIGH STRENGTH	1	11631420
I	11630320	DOWNGUY PREFORM 3/8 IN	2	11631420


1163-16
Sheet 1 of 2
Rev: 08/01/20

POLES, HARDWARE, AND FRAMING

GUYING

DOWN GUY QUADRUPLE W/8FT ROD



1163-16	POLES, HARDWARE, AND FRAMING GUYING DOWN GUY QUADRUPLE W/8FT ROD	
Sheet 2 of 2		
Rev: 08/01/20		

MU

MU-ID	MU-REF	MU-DESCRIPTION
--------------	---------------	-----------------------

DGQUAD4-3/8GWR8FTRO	11631610	DG QD 4-3/8" GW W/ROD
---------------------	----------	-----------------------

ID	CU-REF	CU-DESC	QTY	MU-REF
A	11630510	GUY EYE PLATE SGL	3	11631610
B	11630610	DOWN GUY STRAIN ROD 8 FT	3	11631610
C	11630210	GUY WIRE 3/8" IN EXTRA HIGH STRENGTH	4	11631610
D	11630410	GUY HOOK SGL FOR 3/8 IN GUY WIRE	1	11631610
E	11630320	DOWNGUY PREFORM 3/8 IN	8	11631610
F	11630101	GUYGUARD	2	11631610
G	11630801	GROUND GUY WIRE	1	11631610

DGQUAD3-7/16-3/8GWR8FTRO	11631620	DG QD 3-7/16" W/ROD AND 1-3/8" GW
--------------------------	----------	-----------------------------------

ID	CU-REF	CU-DESC	QTY	MU-REF
A	11630510	GUY EYE PLATE SGL	3	11631620
B	11630610	DOWN GUY STRAIN ROD 8 FT	3	11631620
C	11630220	GUY WIRE 7/16" IN EXTRA HIGH STRENGTH	3	11631620
D	11630321	DOWNGUY PREFORM 7/16 IN	6	11631620
E	11630410	GUY HOOK SGL FOR 3/8 IN GUY WIRE	1	11631620
F	11630210	GUY WIRE 3/8" IN EXTRA HIGH STRENGTH	1	11631620
G	11630320	DOWNGUY PREFORM 3/8 IN	2	11631620
H	11630101	GUYGUARD	2	11631620
I	11630801	GROUND GUY WIRE	1	11631620

NOTE*

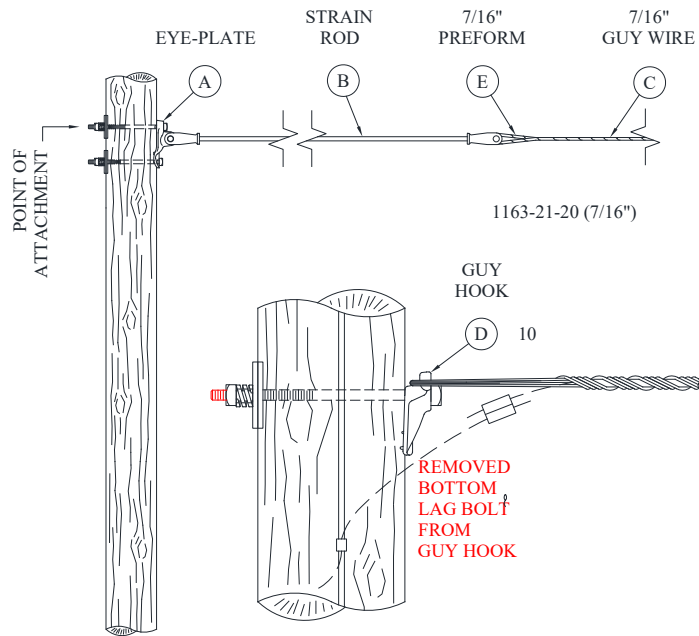
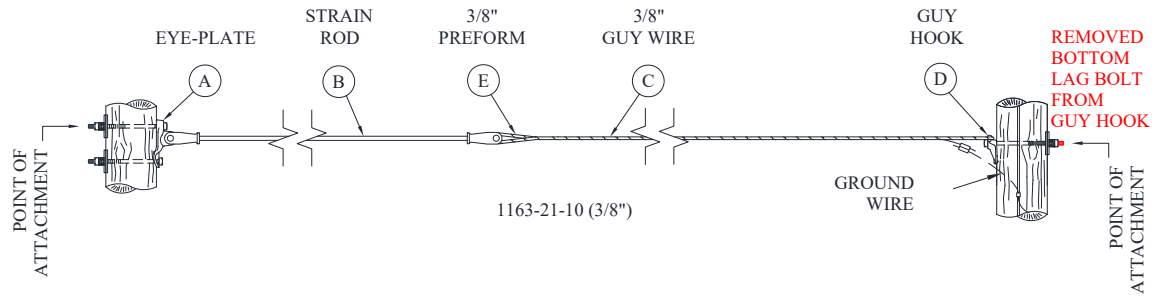
QUADRUPLE DOWNGUY INSTALLATION REQUIRES 2 ANCHORS TO BE INSTALLED


1163-21
Sheet 1 of 2
Rev: 08/01/20

POLES, HARDWARE, AND FRAMING

GUYING

SPAN GUY W/8FT ROD



1163-21	POLES, HARDWARE, AND FRAMING GUYING SPAN GUY W/8FT ROD	
Sheet 2 of 2		
Rev: 08/01/20		

MU

MU-ID	MU-REF	MU-DESCRIPTION
--------------	---------------	-----------------------

SPGY3/8GWR8FTRO	11632110	SPAN GUY 3/8" GW W/ROD
-----------------	----------	------------------------

ID	CU-REF	CU-DESC	QTY	MU-REF
A	11630510	GUY EYE PLATE SGL	1	11632110
B	11630610	DOWN GUY STRAIN ROD 8 FT	1	11632110
C	11630210	GUY WIRE 3/8" IN EXTRA HIGH STRENGTH	1	11632110
D	11630410	GUY HOOK SGL FOR 3/8 IN GUY WIRE	1	11632110
E	11630320	DOWNGUY PREFORM 3/8 IN	2	11632110
F	11630801	GROUND GUY WIRE	1	11632110

SPGY7/16GWR8FTRO	11632120	SPAN GUY 7/16" GW W/ROD
------------------	----------	-------------------------

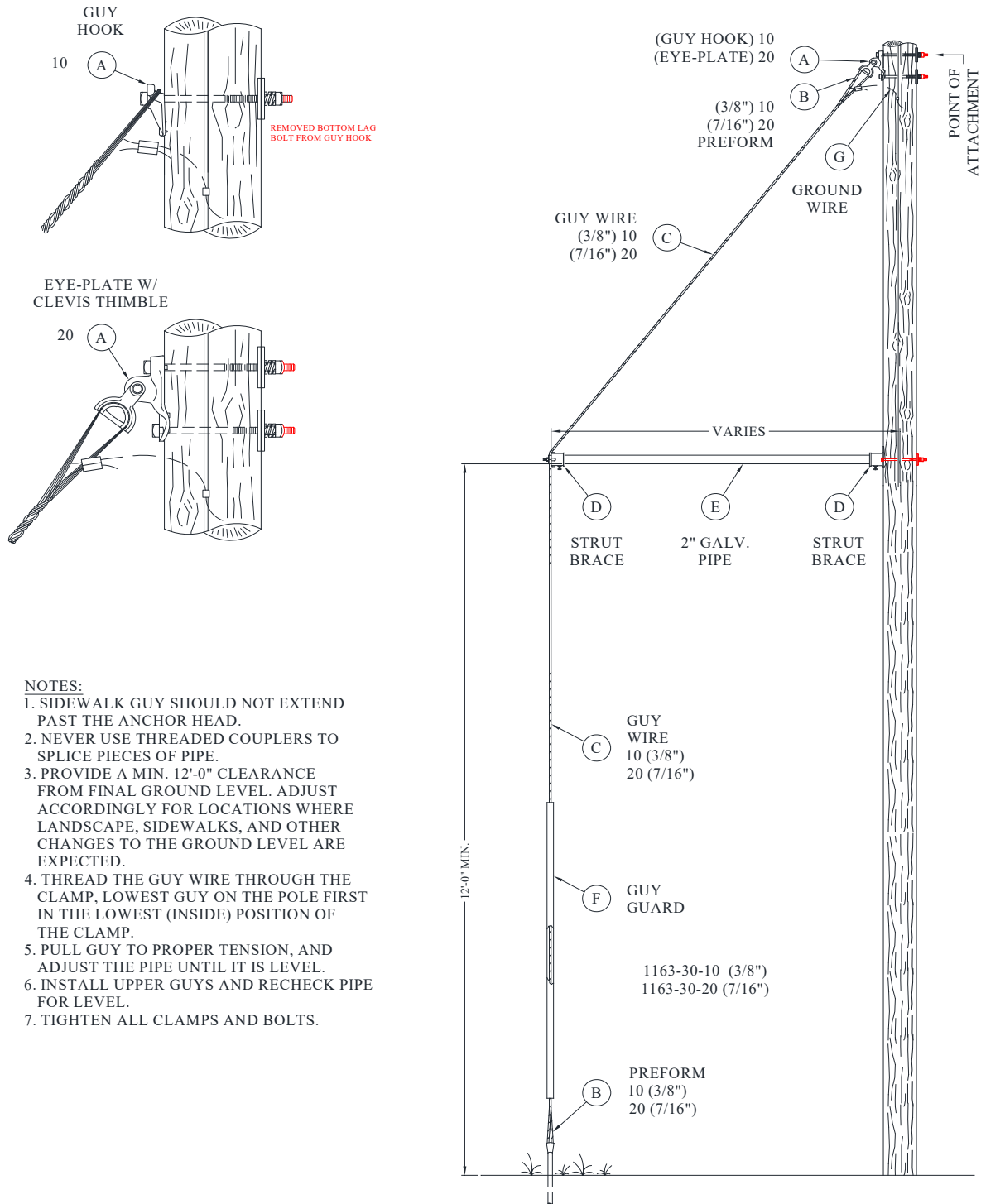
ID	CU-REF	CU-DESC	QTY	MU-REF
A	11630510	GUY EYE PLATE SGL	1	11632120
B	11630610	DOWN GUY STRAIN ROD 8 FT	1	11632120
C	11630220	GUY WIRE 7/16" IN EXTRA HIGH STRENGTH	1	11632120
D	11630525	GUY EYE PLATE SGL W/CLEVIS THIMBLE	2	11632120
E	11630321	DOWNGUY PREFORM 7/16 IN	2	11632120
F	11630801	GROUND GUY WIRE	1	11632120

1163-30
Sheet 1 of 2
Rev: 08/01/20

POLES, HARDWARE, AND FRAMING


GUYING

DOWN GUY SIDEWALK



NOTES:

1. SIDEWALK GUY SHOULD NOT EXTEND PAST THE ANCHOR HEAD.
2. NEVER USE THREADED COUPLERS TO SPLICE PIECES OF PIPE.
3. PROVIDE A MIN. 12'-0" CLEARANCE FROM FINAL GROUND LEVEL. ADJUST ACCORDINGLY FOR LOCATIONS WHERE LANDSCAPE, SIDEWALKS, AND OTHER CHANGES TO THE GROUND LEVEL ARE EXPECTED.
4. THREAD THE GUY WIRE THROUGH THE CLAMP, LOWEST GUY ON THE POLE FIRST IN THE LOWEST (INSIDE) POSITION OF THE CLAMP.
5. PULL GUY TO PROPER TENSION, AND ADJUST THE PIPE UNTIL IT IS LEVEL.
6. INSTALL UPPER GUYS AND RECHECK PIPE FOR LEVEL.
7. TIGHTEN ALL CLAMPS AND BOLTS.

1163-30	POLES, HARDWARE, AND FRAMING GUYING DOWN GUY SIDEWALK	
Sheet 2 of 2		
Rev: 08/01/20		

MU

MU-ID	MU-REF	MU-DESCRIPTION
--------------	---------------	-----------------------

DGSWK3/8GWR	11633010	SIDEWALK DG 3/8" GW
-------------	----------	---------------------

ID	CU-REF	CU-DESC	QTY	MU-REF
A	11630410	GUY HOOK SGL FOR 3/8 IN GUY WIRE	1	11633010
B	11630320	DOWNGUY PREFORM 3/8 IN	2	11633010
C	11630210	GUY WIRE 3/8" IN EXTRA HIGH STRENGTH	1	11633010
D	11630710	BRACE STRUT FOR SIDEWALK GUY	1	11633010
E	14180072	COND GALV IRON 2", 10' LENGTH	10	11633010
F	11630101	GUYGUARD	1	11633010
G	11630801	GROUND GUY WIRE	1	11633010

DGSWK7/16GWR	11633020	SIDEWALK DG 7/16" GW
--------------	----------	----------------------

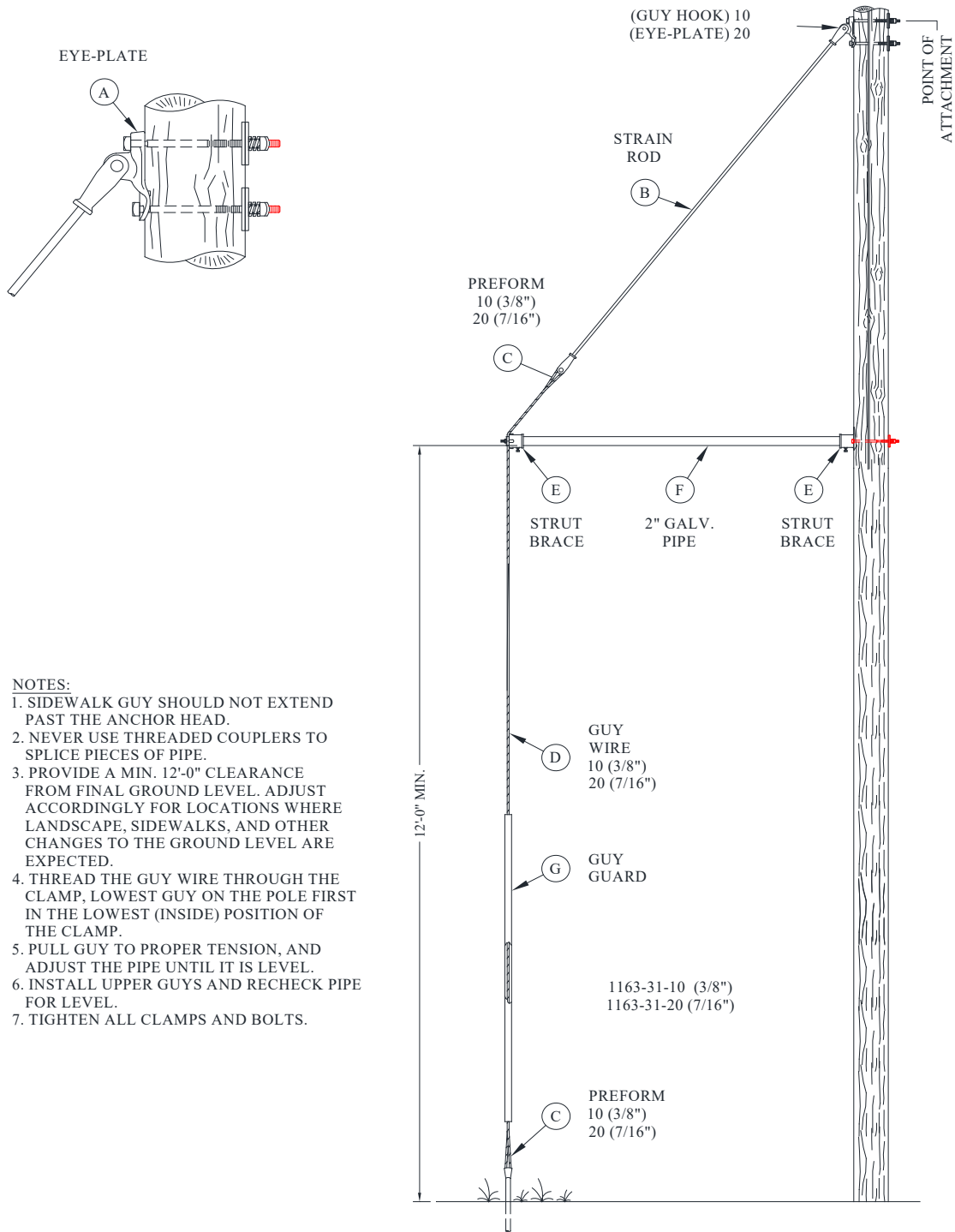
ID	CU-REF	CU-DESC	QTY	MU-REF
A	11630525	GUY EYE PLATE SGL W/CLEVIS THIMBLE	1	11633020
B	11630321	DOWNGUY PREFORM 7/16 IN	2	11633020
C	11630220	GUY WIRE 7/16" IN EXTRA HIGH STRENGTH	1	11633020
D	11630710	BRACE STRUT FOR SIDEWALK GUY	1	11633020
E	14180072	COND GALV IRON 2", 10' LENGTH	10	11633020
F	11630101	GUYGUARD	1	11633020
G	11630801	GROUND GUY WIRE	2	11633020

1163-31
Sheet 1 of 4
Rev: 08/01/20

POLES, HARDWARE, AND FRAMING


GUYING

DOWN GUY SIDEWALK W/8FT ROD



NOTES:

1. SIDEWALK GUY SHOULD NOT EXTEND PAST THE ANCHOR HEAD.
2. NEVER USE THREADED COUPLERS TO SPLICE PIECES OF PIPE.
3. PROVIDE A MIN. 12'-0" CLEARANCE FROM FINAL GROUND LEVEL. ADJUST ACCORDINGLY FOR LOCATIONS WHERE LANDSCAPE, SIDEWALKS, AND OTHER CHANGES TO THE GROUND LEVEL ARE EXPECTED.
4. THREAD THE GUY WIRE THROUGH THE CLAMP, LOWEST GUY ON THE POLE FIRST IN THE LOWEST (INSIDE) POSITION OF THE CLAMP.
5. PULL GUY TO PROPER TENSION, AND ADJUST THE PIPE UNTIL IT IS LEVEL.
6. INSTALL UPPER GUYS AND RECHECK PIPE FOR LEVEL.
7. TIGHTEN ALL CLAMPS AND BOLTS.

1163-31	POLES, HARDWARE, AND FRAMING GUYING DOWN GUY SIDEWALK W/8FT ROD	
Sheet 2 of 4		
Rev: 08/01/20		

MU


MU-ID	MU-REF	MU-DESCRIPTION
--------------	---------------	-----------------------

DGSWK3/8GWR8FTRO	11633110	SIDEWALK DG 3/8" GW W/ROD
------------------	----------	---------------------------

ID	CU-REF	CU-DESC	QTY	MU-REF
A	11630510	GUY EYE PLATE SGL	1	11633110
B	11630610	DOWN GUY STRAIN ROD 8 FT	1	11633110
C	11630320	DOWNGUY PREFORM 3/8 IN	2	11633110
D	11630210	GUY WIRE 3/8" IN EXTRA HIGH STRENGTH	1	11633110
E	11630710	BRACE STRUT FOR SIDEWALK GUY	1	11633110
F	14180072	COND GALV IRON 2", 10' LENGTH	10	11633110
G	11630101	GUYGUARD	1	11633110

DGSWK7/16GWR8FTRO	11633120	SIDEWALK DG 7/16" GW W/ROD
-------------------	----------	----------------------------

ID	CU-REF	CU-DESC	QTY	MU-REF
A	11630510	GUY EYE PLATE SGL	1	11633120
B	11630610	DOWN GUY STRAIN ROD 8 FT	1	11633120
C	11630321	DOWNGUY PREFORM 7/16 IN	2	11633120
D	11630220	GUY WIRE 7/16" IN EXTRA HIGH STRENGTH	1	11633120
E	11630710	BRACE STRUT FOR SIDEWALK GUY	1	11633120
F	14180072	COND GALV IRON 2", 10' LENGTH	10	11633120
G	11630101	GUYGUARD	1	11633120

1163-31	POLES, HARDWARE, AND FRAMING GUYING DOWN GUY SIDEWALK W/8FT ROD	
Sheet 3 of 4		
Rev: 08/01/20		

MU


MU-ID	MU-REF	MU-DESCRIPTION
--------------	---------------	-----------------------

STRGY3/8GWR	11633210	STRUT GUY 3/8" GW
-------------	----------	-------------------

ID	CU-REF	CU-DESC	QTY	MU-REF
A	11630410	GUY HOOK SGL FOR 3/8 IN GUY WIRE	2	11633210
B	11630320	DOWNGUY PREFORM 3/8 IN	2	11633210
C	11630210	GUY WIRE 3/8" IN EXTRA HIGH STRENGTH	1	11633210
D	11630710	BRACE STRUT FOR SIDEWALK GUY	2	11633210
E	14180072	COND GALV IRON 2", 10' LENGTH	4	11633210
F	11630101	GUYGUARD	1	11633210
G	11630801	GROUND GUY WIRE	1	11633210

STRGY7/16GWR	11633220	STRUT GUY 7/16" GW
--------------	----------	--------------------

ID	CU-REF	CU-DESC	QTY	MU-REF
A	11630525	GUY EYE PLATE SGL W/CLEVIS THIMBLE	2	11633220
B	11630321	DOWNGUY PREFORM 7/16 IN	2	11633220
C	11630220	GUY WIRE 7/16" IN EXTRA HIGH STRENGTH	1	11633220
D	11630710	BRACE STRUT FOR SIDEWALK GUY	1	11633220
E	14180072	COND GALV IRON 2", 10' LENGTH	4	11633220
F	11630101	GUYGUARD	1	11633220
G	11630801	GROUND GUY WIRE	1	11633220

1163-31	POLES, HARDWARE, AND FRAMING GUYING DOWN GUY SIDEWALK W/8FT ROD	
Sheet 4 of 4		
Rev: 08/01/20		

MU

MU-ID	MU-REF	MU-DESCRIPTION
--------------	---------------	-----------------------

STRGY3/8GWR8FTRO	11633310	STRUT GUY 3/8" GW W/ROD
------------------	----------	-------------------------

ID	CU-REF	CU-DESC	QTY	MU-REF
A	11630510	GUY EYE PLATE SGL	1	11633310
B	11630610	DOWN GUY STRAIN ROD 8 FT	1	11633310
C	11630320	DOWNGUY PREFORM 3/8 IN	2	11633310
D	11630210	GUY WIRE 3/8" IN EXTRA HIGH STRENGTH	1	11633310
E	11630710	BRACE STRUT FOR SIDEWALK GUY	2	11633310
F	14180072	COND GALV IRON 2", 10' LENGTH	4	11633310
G	11630410	GUY HOOK SGL FOR 3/8 IN GUY WIRE	1	11633310
H	11630101	GUYGUARD	1	11633310

STRGY7/16GWR8FTRO	11633320	STRUT GUY 7/16" GW W/ROD
-------------------	----------	--------------------------

ID	CU-REF	CU-DESC	QTY	MU-REF
A	11630510	GUY EYE PLATE SGL	1	11633320
B	11630610	DOWN GUY STRAIN ROD 8 FT	1	11633320
C	11630321	DOWNGUY PREFORM 7/16 IN	2	11633320
D	11630220	GUY WIRE 7/16" IN EXTRA HIGH STRENGTH	1	11633320
E	11630710	BRACE STRUT FOR SIDEWALK GUY	2	11633320
F	14180072	COND GALV IRON 2", 10' LENGTH	4	11633320
G	11630525	GUY EYE PLATE SGL W/CLEVIS THIMBLE	1	11633320
H	11630101	GUYGUARD	1	11633320