 Rev: 07/01/20	UNDERGROUND APPARATUS SWITCHGEAR	1561
		Sheet 1 of 1

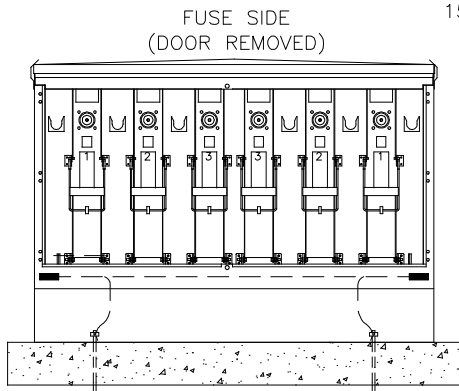
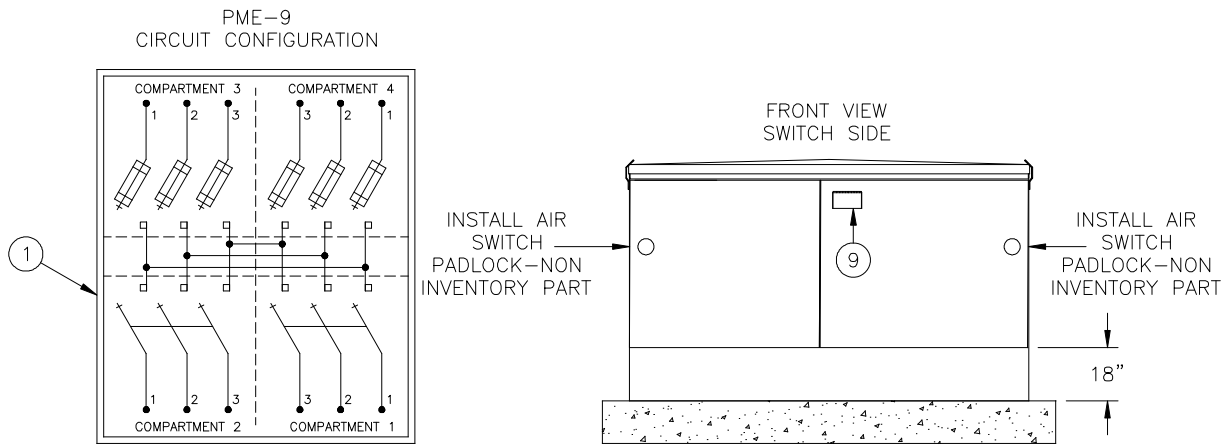
1561

SWITCHGEAR

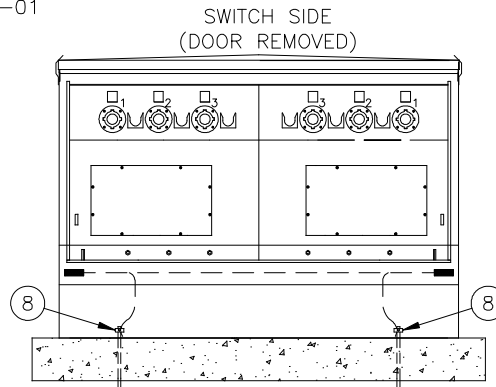
CONTAINS

- 1561-09 SWITCHGEAR PAD MOUNT 3PH PME-9**
- 1561-10 SWITCHGEAR PAD MOUNT 3PH PME-10**
- 1561-11 SWITCHGEAR PAD MOUNT 3PH PME-11**
- 1561-12 SWITCHGEAR PAD MOUNT 3PH PME-12**
- 1561-15 SWITCHGEAR PAD MOUNT VISTA 321**
- 1561-16 SWITCHGEAR PAD MOUNT VISTA 422**
- 1561-17 SWITCHGEAR PAD MOUNT VISTA 440**
- 1561-18 SWITCHGEAR PAD MOUNT VISTA 624**
- 1561-19 SWITCHGEAR PAD MOUNT VISTA 633**
- 1561-20 SWITCHGEAR PAD MOUNT VISTA 615**
- 1561-22 SWITCHGEAR VISTA REMOTE SUPERS**
- 1561-24 SWITCHGEAR PAD MOUNT PME6 ATO**
- 1561-25 SWITCHGEAR PAD MOUNT PME9 ATO**
- 1561-26 SWITCHGEAR PAD MOUNT DBL TANK ATO**
- 1561-29 PAD MOUNT PME-9 SWITCHGEAR**
- 1561-30 PAD MOUNT PME-10 SWITCHGEAR**
- 1561-31 PAD MOUNT PME-11 SWITCHGEAR**
- 1561-32 PAD MOUNT PME-12 SWITCHGEAR**
- 1561-37 PAD MOUNT VISTA 3-WAY SWITCHGEAR**
- 1561-38 PAD MOUNT VISTA 4-WAY SWITCHGEAR**
- 1561-39 PAD MOUNT VISTA 6-WAY SWITCHGEAR**
- 1561-45 PAD MOUNT PME6 ATO SWITCHGEAR**
- 1561-46 PAD MOUNT PME9 ATO SWITCHGEAR**
- 1561-47 PAD MOUNT DBL TANK ATO SWITCHGEAR**

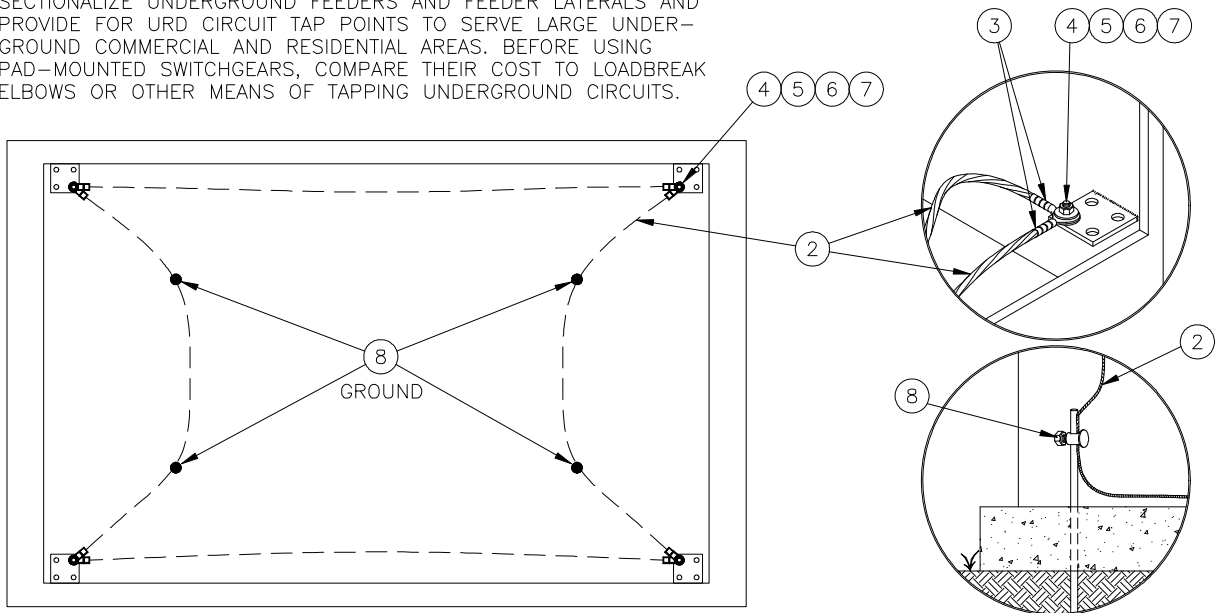
1561

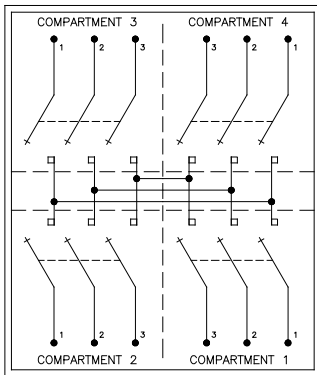


1561-09-01

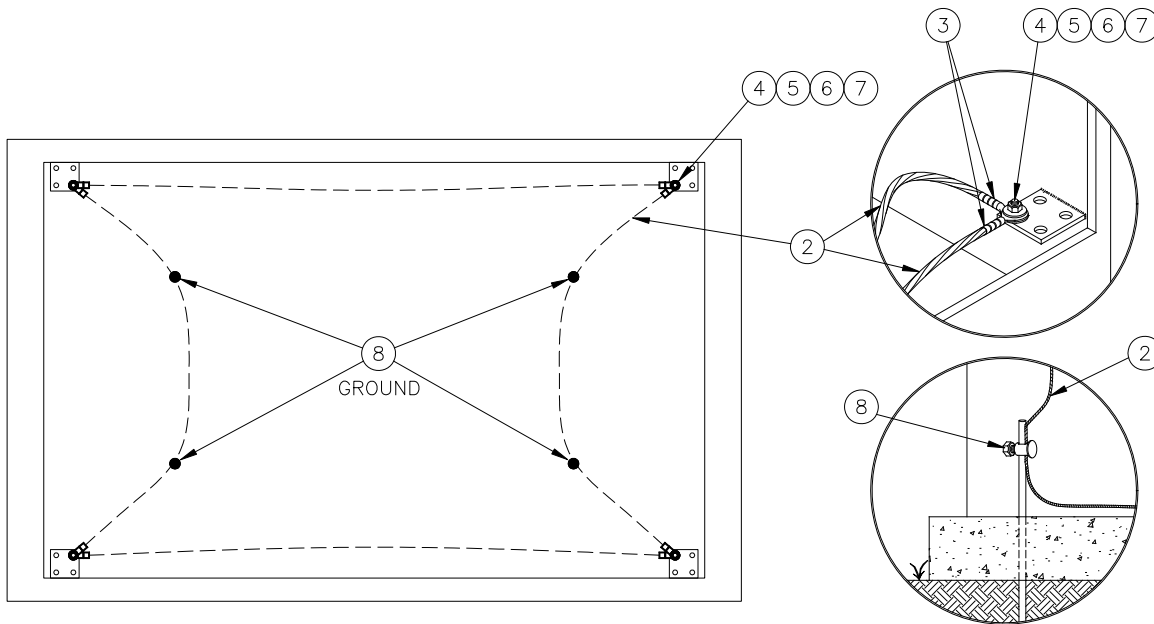
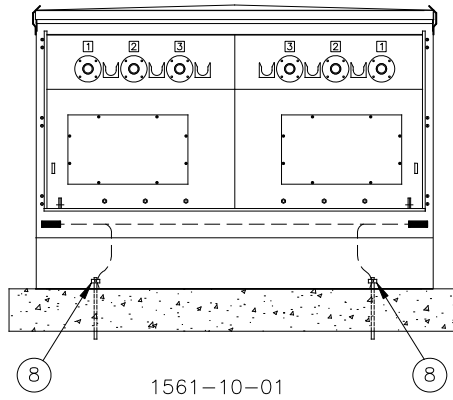
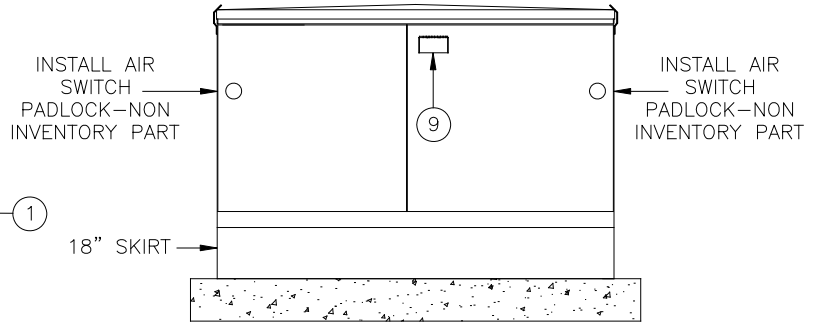



PAD-MOUNTED SWITCHGEARS ARE A CONVENIENT METHOD TO SECTIONALIZE UNDERGROUND FEEDERS AND FEEDER LATERALS AND PROVIDE FOR URD CIRCUIT TAP POINTS TO SERVE LARGE UNDERGROUND COMMERCIAL AND RESIDENTIAL AREAS. BEFORE USING PAD-MOUNTED SWITCHGEARS, COMPARE THEIR COST TO LOADBREAK ELBOWS OR OTHER MEANS OF TAPPING UNDERGROUND CIRCUITS.





PME-10
CIRCUIT CONFIGURATION



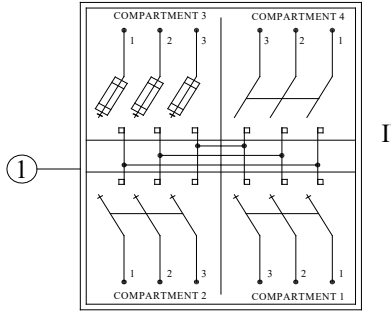
	UNDERGROUND APPARATUS SWITCHGEARS	1561-10
	SWITCHGEAR PAD MOUNT 3PH PME-10	Sheet 2 of 2
Rev: 07/01/20		

CU

CU-ID	CU-REF	CU-DESCRIPTION
--------------	---------------	-----------------------

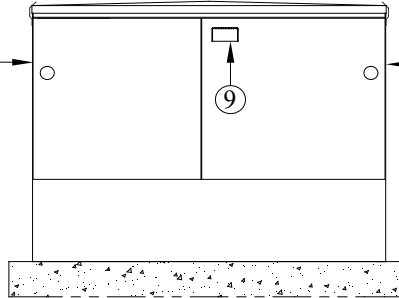
SWGPM3PHPME10DF	15611001	SWITCHGEAR PAD MOUNT 3PH PME-10 DF
-----------------	----------	------------------------------------

ID	PART NUM	PART DESC	QTY	EA	CU-REF
1	0000016000	SWITCHGEAR PD MT 3PH DFRONT 4-600 AMP SWITCHES PME-10	1	EA	15611001
10	0000022051	PADLOCK AE KEYED FOR AE KEY ONLY FOR DIST EQUIPMENT	2	EA	15611001
2	0000009556	PADLOCK KEYD SARG NLJ82654 W/O KEYS STAMPD COA ELECTRIC	2	EA	15611001
3	0000001246	CONNECTOR SPLIT BOLT 1/0 - 3/0 MCM	4	EA	15611001
4	0000001211	CABLE BARE STRD COP TINNED SOFT 2/0 AWG	30	EA	15611001
5	0000001271	LUG ONE-HOLE COMP COP 2/0 AWG 1/2 IN BH BLACK	8	EA	15611001
6	0000008360	BOLT HEX HEAD SILICON BRNZ ALLOY 651 1/2 IN X 1-1/2 IN	4	EA	15611001
7	0000008510	NUT HEX SILICON BRONZE ALLOY 651 1/2 IN	4	EA	15611001
8	0000008516	WASHER SPLIT LOCK SILICON BRONZE ALLOY 651 1/2 IN	4	EA	15611001
9	0000008521	WASHER FLAT FITS 1/2 INCH SIZE BOLT SILICON BRONZE ALLO	8	EA	15611001



PME-11
CIRCUIT CONFIGURATION

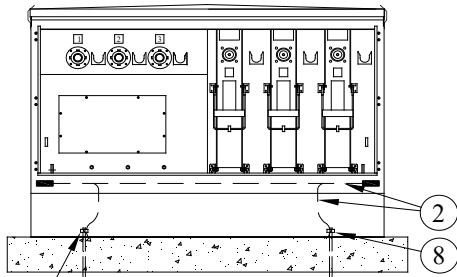
INSTALL AIR
SWITCH
PADLOCK-NON
INVENTORY PART



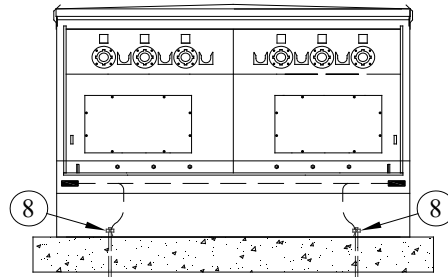
INSTALL AIR
SWITCH
PADLOCK-NON
INVENTORY PART

FRONT VIEW
SWITCH SIDE
CLOSED DOORS

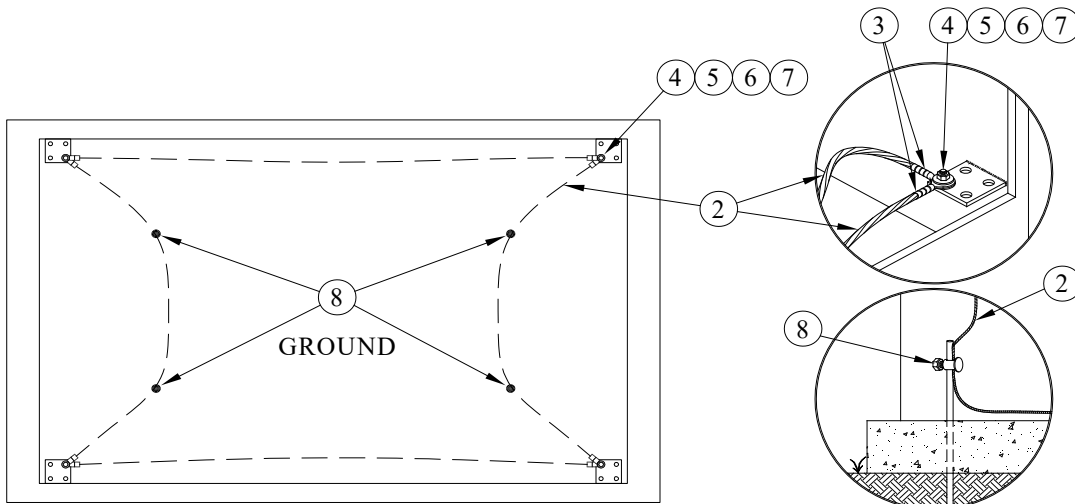
1561-11-01




FRONT VIEW
SWITCH SIDE
OPEN DOORS



FRONT VIEW
SWITCH SIDE
OPEN DOORS



 Rev: 07/01/20	UNDERGROUND APPARATUS SWITCHGEARS SWITCHGEAR PAD MOUNT 3PH PME- 11	1561- 11 Sheet 2 of 2

CU

CU- ID

CU- REF

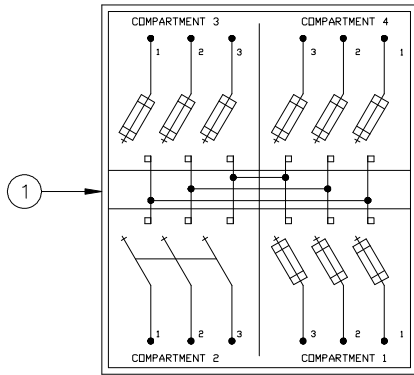
CU- DESCRIPTION

SWGPM3PHPME11DF

15611101

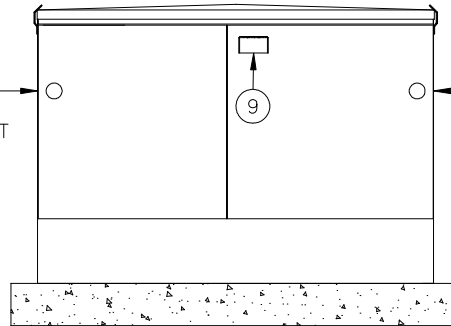
SWITCHGEAR PAD MOUNT 3PH PME- 11 DF

ID	PART NUM	PART DESC	QTY		CU-REF
1	0000001934	SWITCHGR PDMT 3PH DFRT 1-200AMPFUSE 3-600AMPSWCHPME- 11	1	EA	15611101
10	0000022051	PADLOCK AE KEYED FOR AE KEY ONLY FOR DIST EQUIPMENT	2	EA	15611101
2	0000009556	PADLOCK KEYD SARG NLJ82654 W/O KEYS STAMPD COA ELECTRIC	2	EA	15611101
3	0000001246	CONNECTOR SPLIT BOLT 1/0 - 3/0 MCM	4	EA	15611101
4	0000001211	CABLE BARE STRD COP TINNED SOFT 2/0 AWG	30	EA	15611101
5	0000001271	LUG ONE-HOLE COMP COP 2/0 AWG 1/2 IN BH BLACK	8	EA	15611101
6	0000008360	BOLT HEX HEAD SILICON BRNZ ALLOY 651 1/2 IN X 1-1/2 IN	4	EA	15611101
7	0000008510	NUT HEX SILICON BRONZE ALLOY 651 1/2 IN	4	EA	15611101
8	0000008516	WASHER SPLIT LOCK SILICON BRONZE ALLOY 651 1/2 IN	4	EA	15611101
9	0000008521	WASHER FLAT FITS 1/2 INCH SIZE BOLT SILICON BRONZE ALLO	8	EA	15611101



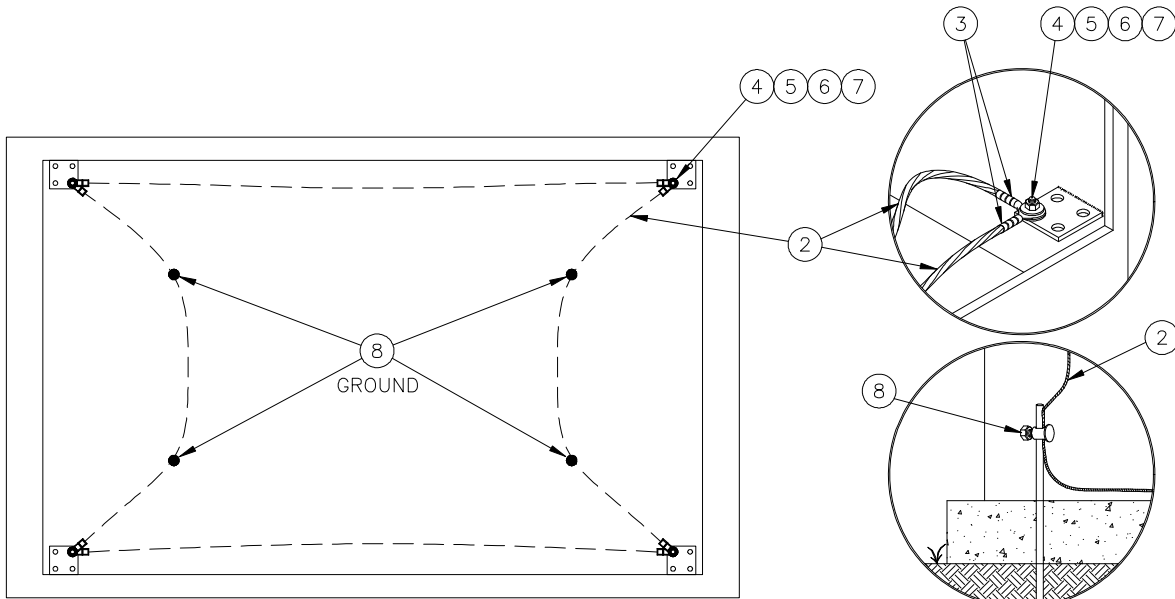
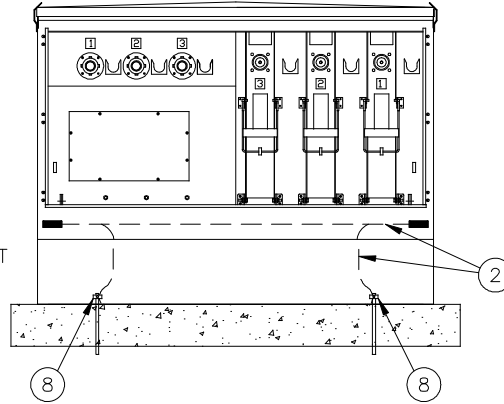
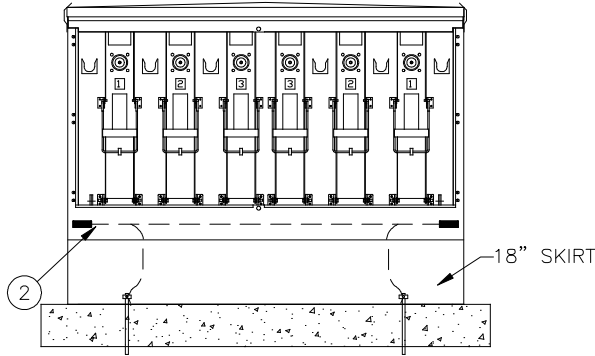
PME-12
CIRCUIT CONFIGURATION

INSTALL AIR SWITCH
PADLOCK—NON
INVENTORY PART



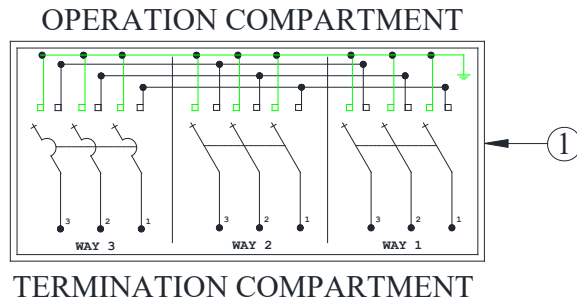
1561-12-01

FRONT VIEW
SWITCH SIDE



1561-15A	UNDERGROUND APPARATUS	
Sheet 1 of 3	SWITCHGEARS	Rev: 07/01/20
	SWITCHGEAR PAD MOUNT VISTA 321	

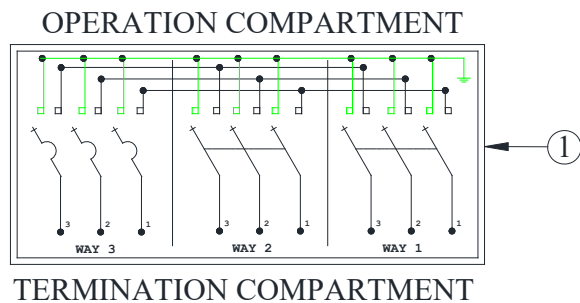
VISTA MODEL 321 WITH 3PH OPERATION
CIRCUIT CONFIGURATION
OVERHEAD VIEW



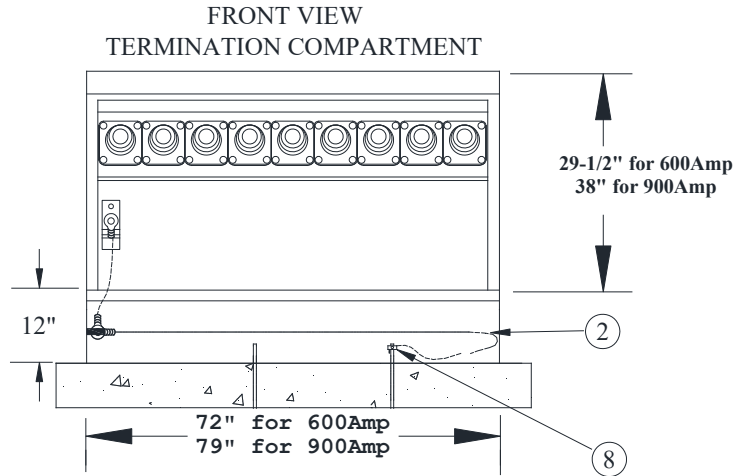
600 Amp Vista 321 1561-15-01
(2) 3 Phase Switch Ways
(1) 3 Phase Fault Interrupter Ways

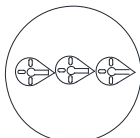
900 Amp Vista 321 1561-15-02
(2) 3 Phase Switch Ways
(1) 3 Phase Fault Interrupter Ways

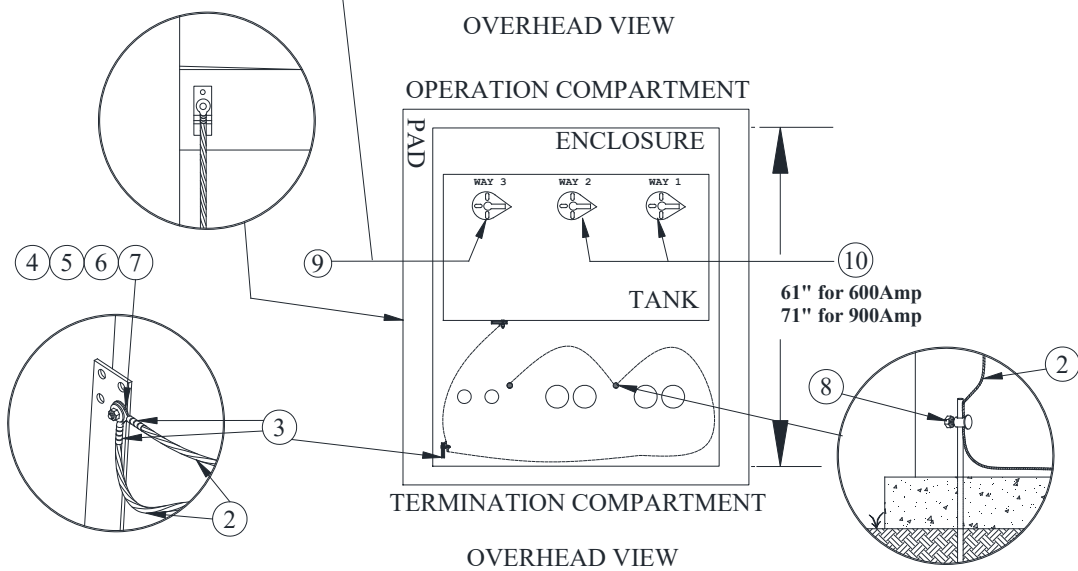
VISTA MODEL 321 WITH 1PH AND 3PH OPERATION
CIRCUIT CONFIGURATION
OVERHEAD VIEW



900 Amp Vista 321 1561-15-03
(2) 3 Phase Switch Ways
(1) 1 Phase Fault Interrupter Ways



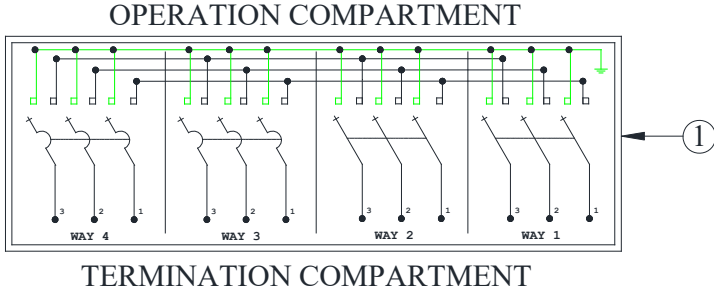

 Note: For Vistas with Single Phase Fault Interrupter Ways, Three Switch Operating Mechanism will be present on the Single Phase Fault Interrupter Ways



NOTE: ANY PRIMARY BUSHING NOT BEING UTILIZED SHALL HAVE AN INSULATED PROTECTIVE CAP INSTALLED. PROTECTIVE CAP CU TO BE USED IS 'CAPINSULW/TESTPOINT" (PART NUMBER 15573). QTY OF CAPS TO BE DETERMINED BY APPLICATION.

ALL FAULT INTERRUPTER OPERATING MECHANISMS NOT BEING UTILIZED SHALL BE LOCKED IN THE GROUND POSITION.

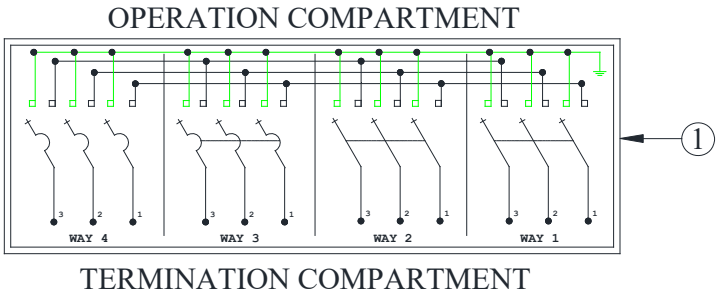
VISTA MODEL 422 WITH 3PH OPERATION
CIRCUIT CONFIGURATION
OVERHEAD VIEW



600 Amp Vista 422 1561-16-01
 (2) 3 Phase Switch Ways
 (2) 3 Phase Fault Interrupter Ways

900 Amp Vista 422 1561-16-02
 (2) 3 Phase Switch Ways
 (2) 3 Phase Fault Interrupter Ways

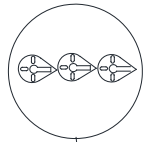
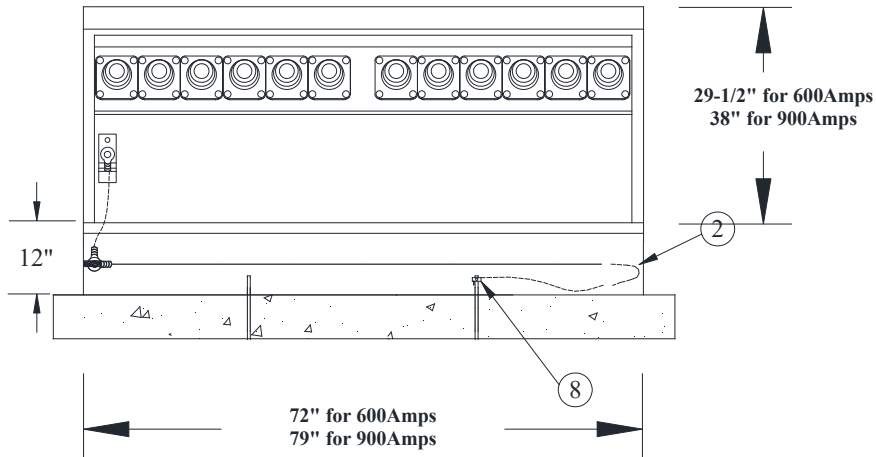
VISTA MODEL 422 WITH 1PH AND 3PH OPERATION
CIRCUIT CONFIGURATION
OVERHEAD VIEW



900 Amp Vista 422 1561-16-03
 (2) 3 Phase Switch Ways
 (1) 3 Phase Fault Interrupter Way
 (1) 1 Phase Fault Interrupter Way

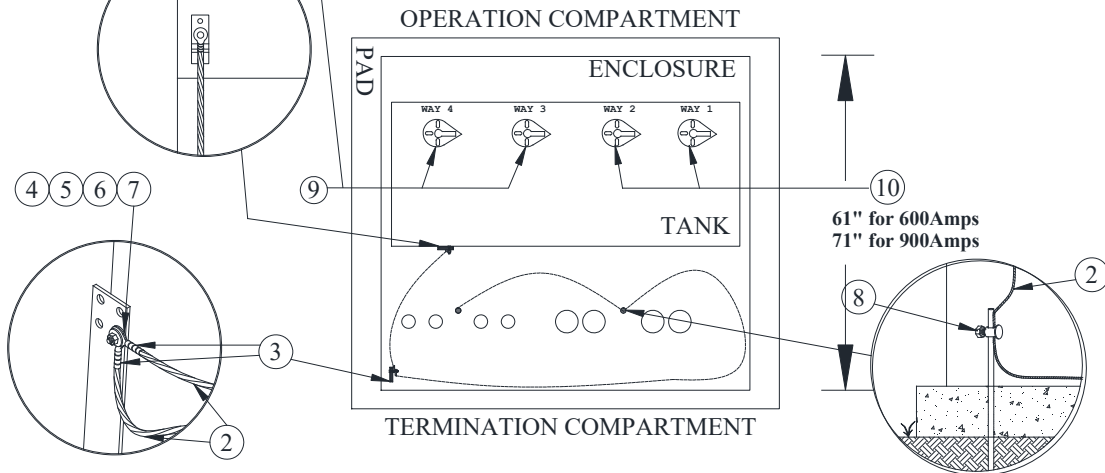
1561-16B	UNDERGROUND APPARATUS	
Sheet 1 of 2	SWITCHGEARS	Rev: 07/01/20
	SWITCHGEAR PAD MOUNT VISTA 422	

FRONT VIEW
TERMINATION COMPARTMENT



Note: For Vistas with Single Phase Fault Interrupter Ways, Three Switch Operating Mechanism will be present on the Single Phase Fault Interrupter Ways

OVERHEAD VIEW



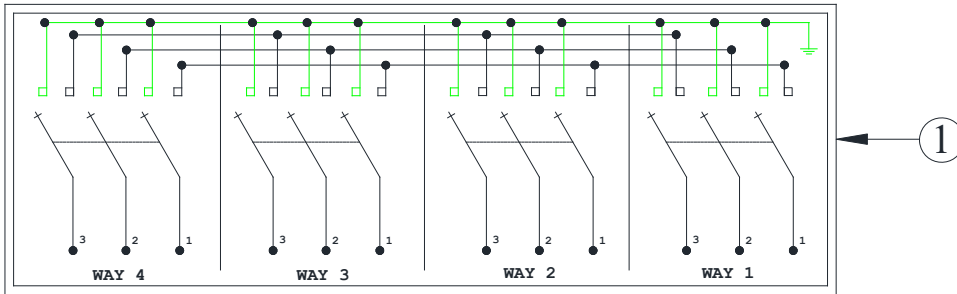
NOTE: ANY PRIMARY BUSHING NOT BEING UTILIZED SHALL HAVE AN INSULATED PROTECTIVE CAP INSTALLED. PROTECTIVE CAP CU TO BE USED IS 'CAPINSULW/TESTPOINT" (PART NUMBER 15573). QTY OF CAPS TO BE DETERMINED BY APPLICATION.

ALL FAULT INTERRUPTER OPERATING MECHANISMS NOT BEING UTILIZED SHALL BE LOCKED IN THE GROUND POSITION.

1561-17A	UNDERGROUND APPARATUS	
Sheet 1 of 2	SWITCHGEARS	Rev: 07/01/20
	SWITCHGEAR PAD MOUNT VISTA 440	

VISTA MODEL 440 WITH 3PH OPERATION
CIRCUIT CONFIGURATION
OVERHEAD VIEW

OPERATION COMPARTMENT



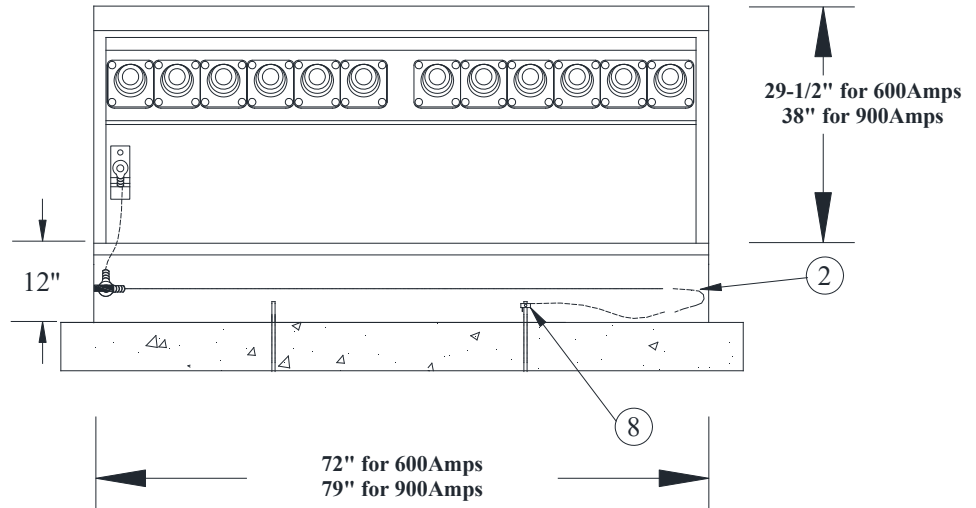
TERMINATION COMPARTMENT

600 Amp Vista 440 1561-17-01
(4) 3 Phase Switch Ways

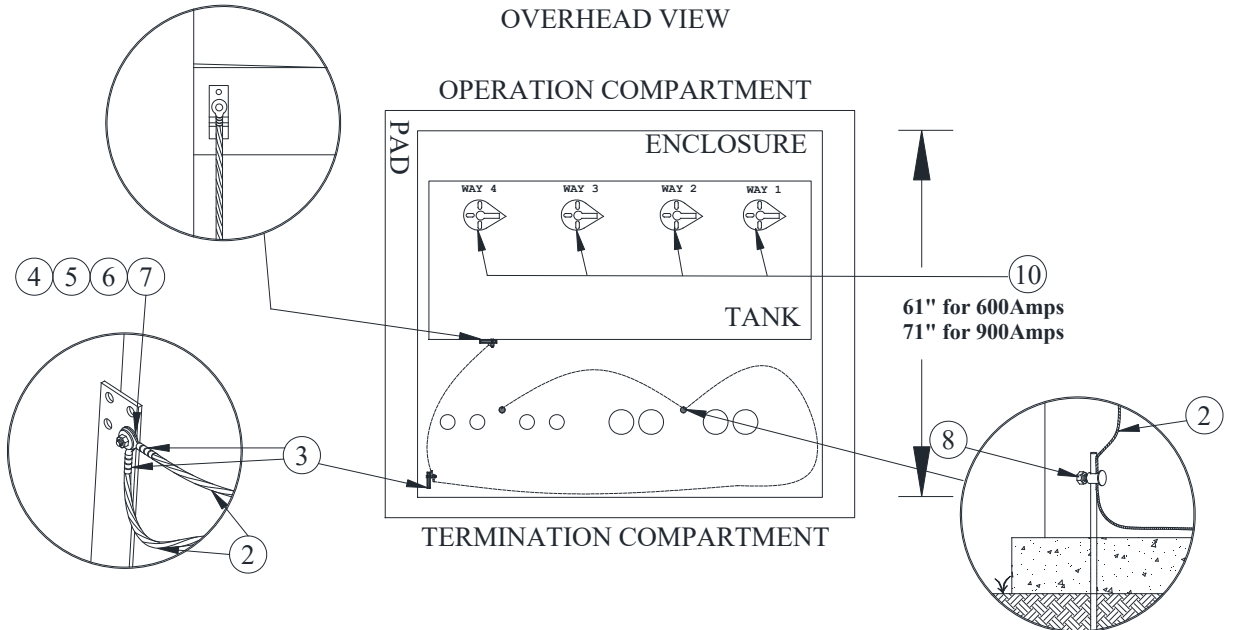
900 Amp Vista 440 1561-17-02
(4) 3 Phase Switch Ways

	UNDERGROUND APPARATUS SWITCHGEARS	1561-17B
	SWITCHGEAR PAD MOUNT VISTA 440	Sheet 1 of 2
Rev: 07/01/20		

FRONT VIEW
TERMINATION COMPARTMENT



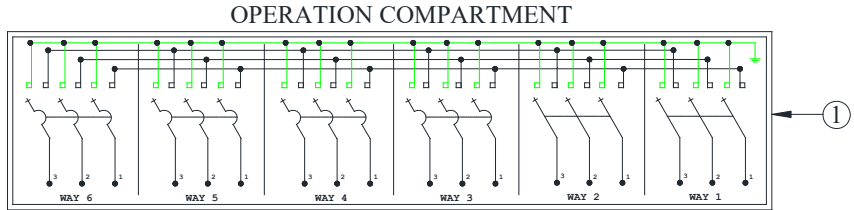
OVERHEAD VIEW



NOTE: ANY PRIMARY BUSHING NOT BEING UTILIZED SHALL HAVE AN INSULATED PROTECTIVE CAP INSTALLED. PROTECTIVE CAP CU TO BE USED IS 'CAPINSULW/TESTPOINT" (PART NUMBER 15573). QTY OF CAPS TO BE DETERMINED BY APPLICATION.

ALL FAULT INTERRUPTER OPERATING MECHANISMS NOT BEING UTILIZED SHALL BE LOCKED IN THE GROUND POSITION.

VISTA MODEL 624 WITH 3PH OPERATION
CIRCUIT CONFIGURATION
OVERHEAD VIEW

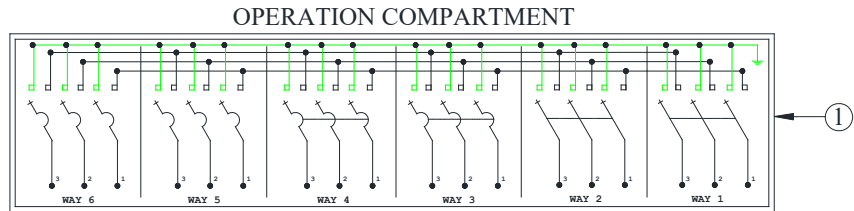


TERMINATION COMPARTMENT

600 Amp Vista 624 1561-18-01
(2) 3 Phase Switch Ways
(4) 3 Phase Fault Ways

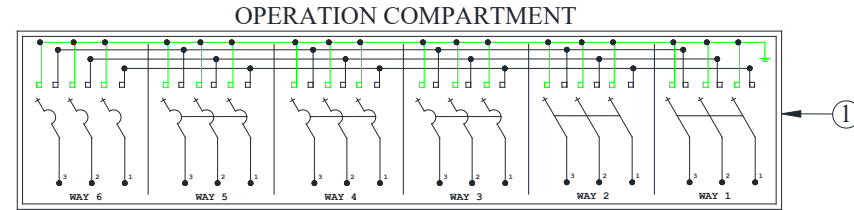
900 Amp Vista 624 1561-18-02
(2) 3 Phase Switch Ways
(4) 3 Phase Fault Interrupter Ways

VISTA MODEL 624 WITH 1PH AND 3PH OPERATION
CIRCUIT CONFIGURATION
OVERHEAD VIEW



TERMINATION COMPARTMENT

900 Amp Vista 624 1561-18-03
(2) 3 Phase Switch Ways
(2) 3 Phase Fault Interrupter Ways
(2) 1 Phase Fault Interrupter Ways

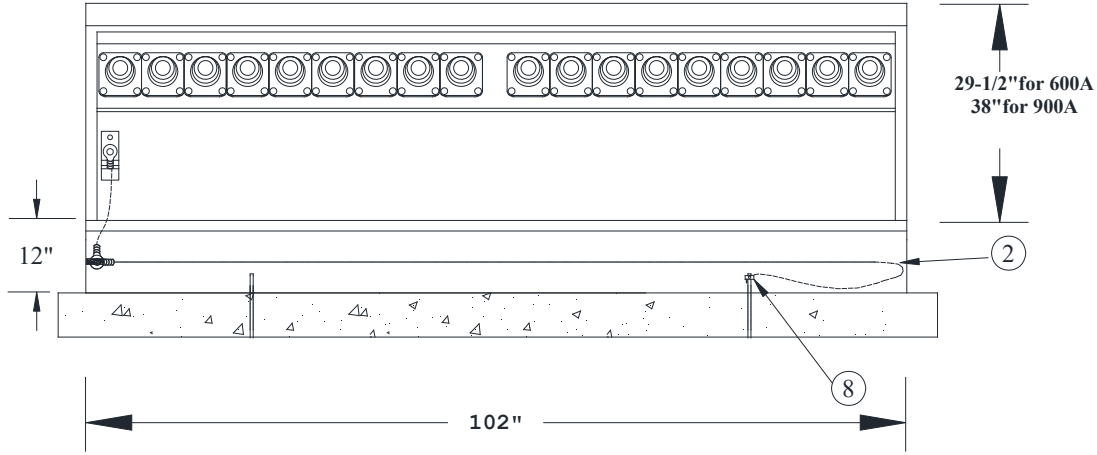


TERMINATION COMPARTMENT

900 Amp Vista 624 1561-18-04
(2) 3 Phase Switch Ways
(3) 3 Phase Fault Interrupter Ways
(1) 1 Phase Fault Interrupter Ways

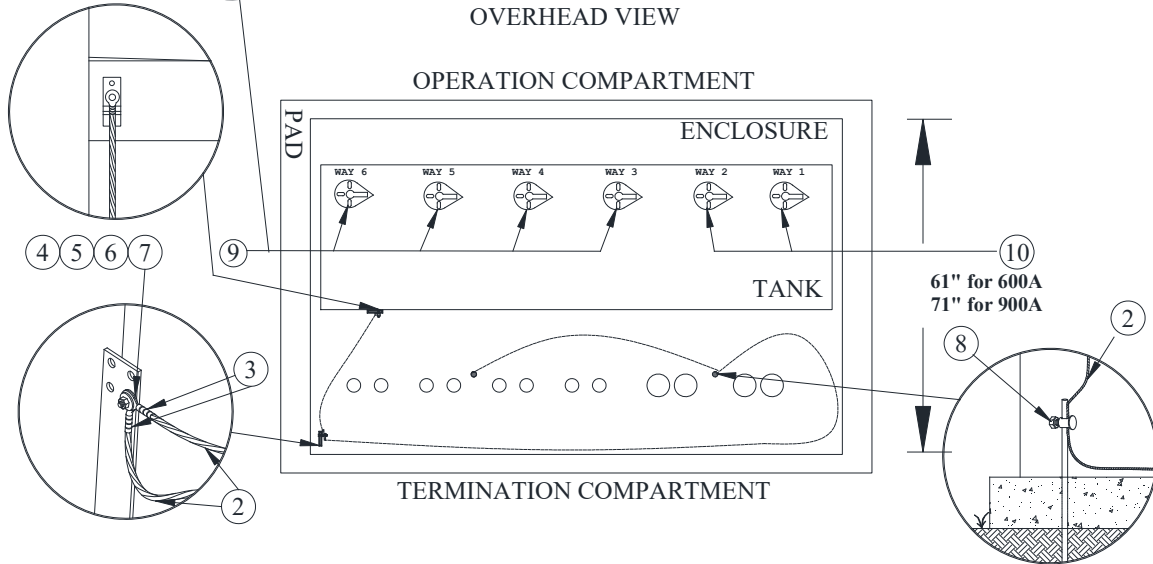
1561-18B	UNDERGROUND APPARATUS	
Sheet 1 of 2	SWITCHGEARS	Rev: 07/01/20
	SWITCHGEAR PAD MOUNT VISTA 624	

FRONT VIEW
TERMINATION COMPARTMENT



Note: For Vistas with Single Phase Fault Interrupter Ways, Three Switch Operating Mechanism will be present on the Single Phase Fault Interrupter Ways

OVERHEAD VIEW



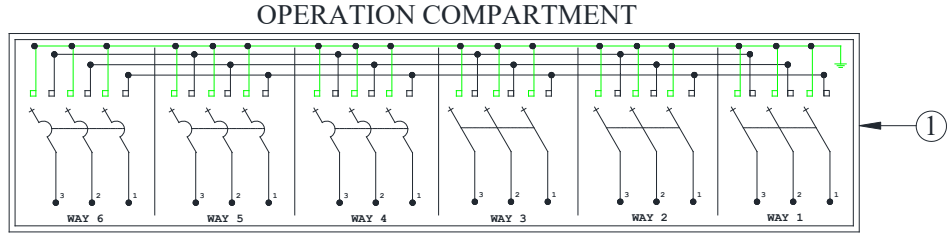
NOTE: ANY PRIMARY BUSHING NOT BEING UTILIZED SHALL HAVE AN INSULATED PROTECTIVE CAP INSTALLED. PROTECTIVE CAP CU TO BE USED IS 'CAPINSULW/TESTPOINT" (PART NUMBER 15573). QTY OF CAPS TO BE DETERMINED BY APPLICATION.

ALL FAULT INTERRUPTER OPERATING MECHANISMS NOT BEING UTILIZED SHALL BE LOCKED IN THE GROUND POSITION.

1561-18B	UNDERGROUND APPARATUS SWITCHGEARS SWITCHGEAR PAD MOUNT VISTA 624	
Sheet 2 of 2		
		Rev: 07/01/20

ID	PART NUM	PART DESC	QTY		CU-REF
1	0000019657	SWGR PD MNT 15KV MODEL 624 2-900A SW 3-600A FI 1-200A	1	EA	15611804
10	0000022051	PADLOCK AE KEYED FOR AE KEY ONLY FOR DIST EQUIPMENT	2	EA	15611804
2	0000001211	CABLE BARE STRD COP TINNED SOFT 2/0 AWG	20	EA	15611804
3	0000001271	LUG ONE-HOLE COMP COP 2/0 AWG 1/2 IN BH BLACK	3	EA	15611804
4	0000008360	BOLT HEX HEAD SILICON BRNZ ALLOY 651 1/2 IN X 1-1/2 IN	2	EA	15611804
5	0000008521	WASHER FLAT FITS 1/2 INCH SIZE BOLT SILICON BRONZE ALLO	4	EA	15611804
6	0000008516	WASHER SPLIT LOCK SILICON BRONZE ALLOY 651 1/2 IN	2	EA	15611804
7	0000008510	NUT HEX SILICON BRONZE ALLOY 651 1/2 IN	2	EA	15611804
8	0000001246	CONNECTOR SPLIT BOLT 1/0 - 3/0 MCM	2	EA	15611804
9	0000009556	PADLOCK KEYD SARG NLJ82654 W/O KEYS STAMPD COA ELECTRIC	8	EA	15611804

**VISTA MODEL 633 WITH 3PH OPERATION
CIRCUIT CONFIGURATION
OVERHEAD VIEW**

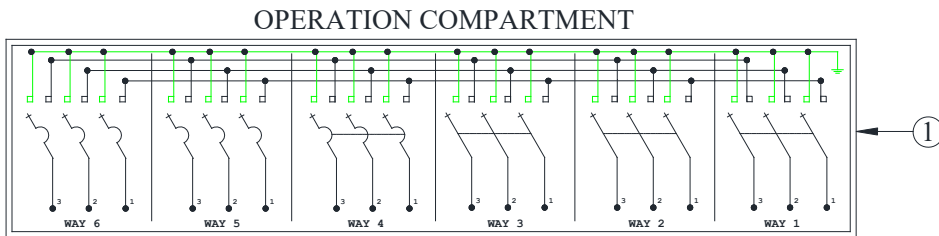


TERMINATION COMPARTMENT

600 Amp Vista 633 1561-19-01
 (3) 3 Phase Switch Ways
 (3) 3 Phase Fault Interrupter Ways

900 Amp Vista 633 1561-19-02
 (3) 3 Phase Switch Ways
 (3) 3 Phase Fault Interrupter Ways

**VISTA MODEL 633 WITH 1PH AND 3PH OPERATION
CIRCUIT CONFIGURATION
OVERHEAD VIEW**

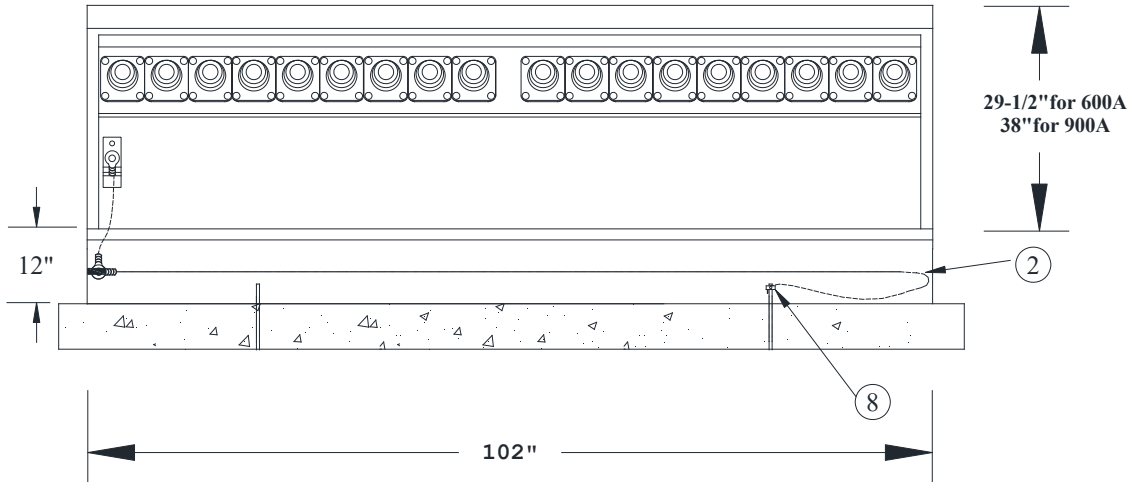


TERMINATION COMPARTMENT

900 Amp Vista 633 1561-19-03
 (3) 3 Phase Switch Ways
 (1) 3 Phase Fault Interrupter Ways
 (2) 1 Phase Fault Interrupter Ways

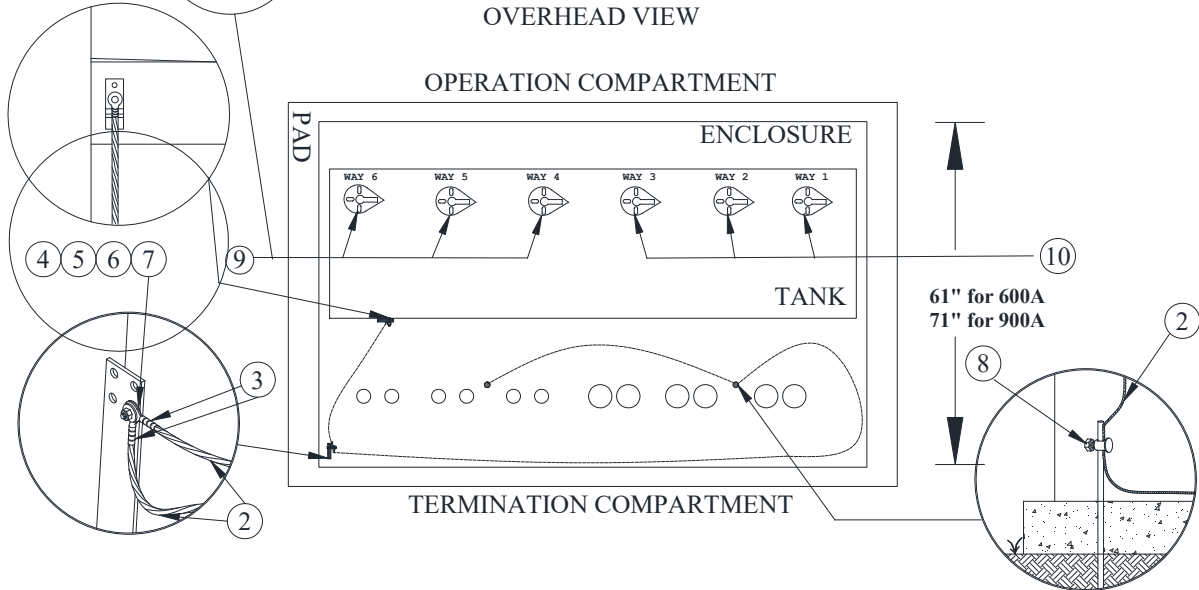
1561-19B	UNDERGROUND APPARATUS	
Sheet 1 of 2	SWITCHGEARS	Rev: 07/01/20
	SWITCHGEAR PAD MOUNT VISTA 633	

FRONT VIEW
TERMINATION COMPARTMENT



Note: For Vistas with Single Phase Fault Interrupter Ways, Three Switch Operating Mechanism will be present on the Single Phase Fault Interrupter Ways

OVERHEAD VIEW

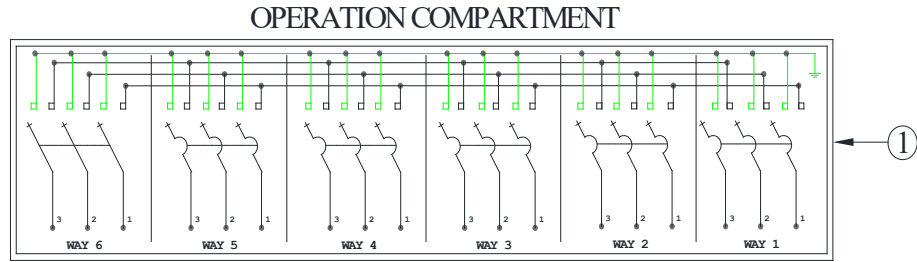


NOTE: ANY PRIMARY BUSHING NOT BEING UTILIZED SHALL HAVE AN INSULATED PROTECTIVE CAP INSTALLED. PROTECTIVE CAP CU TO BE USED IS 'CAPINSULW/TESTPOINT' (PART NUMBER 15573). QTY OF CAPS TO BE DETERMINED BY APPLICATION.

ALL FAULT INTERRUPTER OPERATING MECHANISMS NOT BEING UTILIZED SHALL BE LOCKED IN THE GROUND POSITION.

1561-20A	UNDERGROUND APPARATUS	
Sheet 1 of 2	SWITCHGEARS	Rev: 07/01/20
	SWITCHGEAR PAD MOUNT VISTA 615	

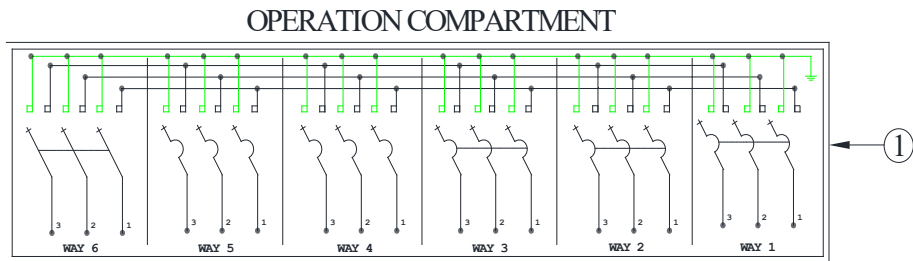
VISTA MODEL 615 WITH 3PH OPERATION
CIRCUIT CONFIGURATION
OVERHEAD VIEW



TERMINATION COMPARTMENT

- 600 Amp Vista 615 1561-20-01
(1) 3 Phase 600 Amp Switch Ways
(5) 3 Phase 600 Amp Fault Interrupter Ways

VISTA MODEL 615 WITH 1PH AND 3PH OPERATION
CIRCUIT CONFIGURATION
OVERHEAD VIEW

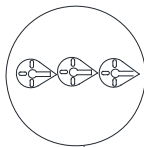
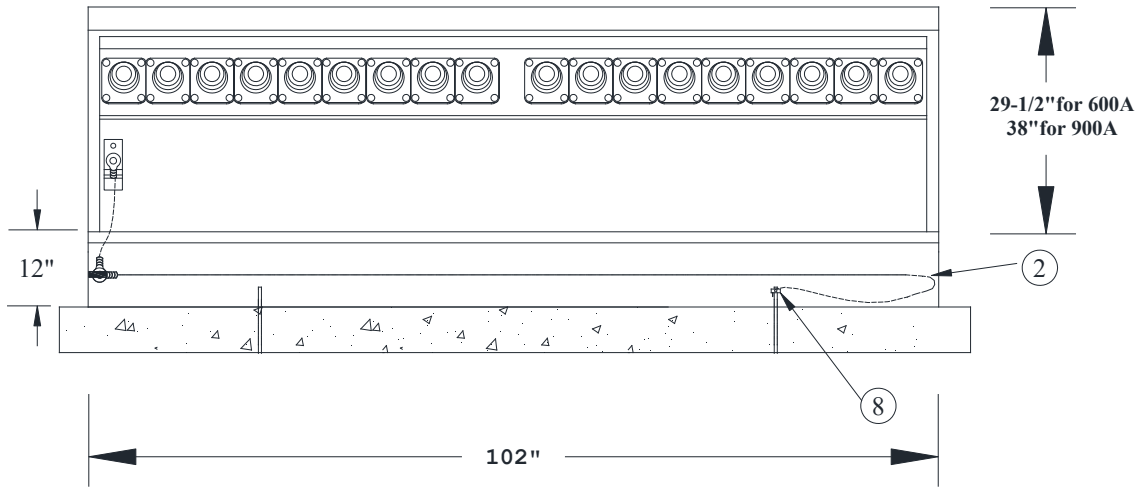


TERMINATION COMPARTMENT

- 900 Amp Vista 615 1561-20-02
(1) 3 Phase 900 Amp Switch Ways
(3) 3 Phase 600 Amp Fault Interrupter Ways
(2) 1 Phase 200 Amp Fault Interrupter Way

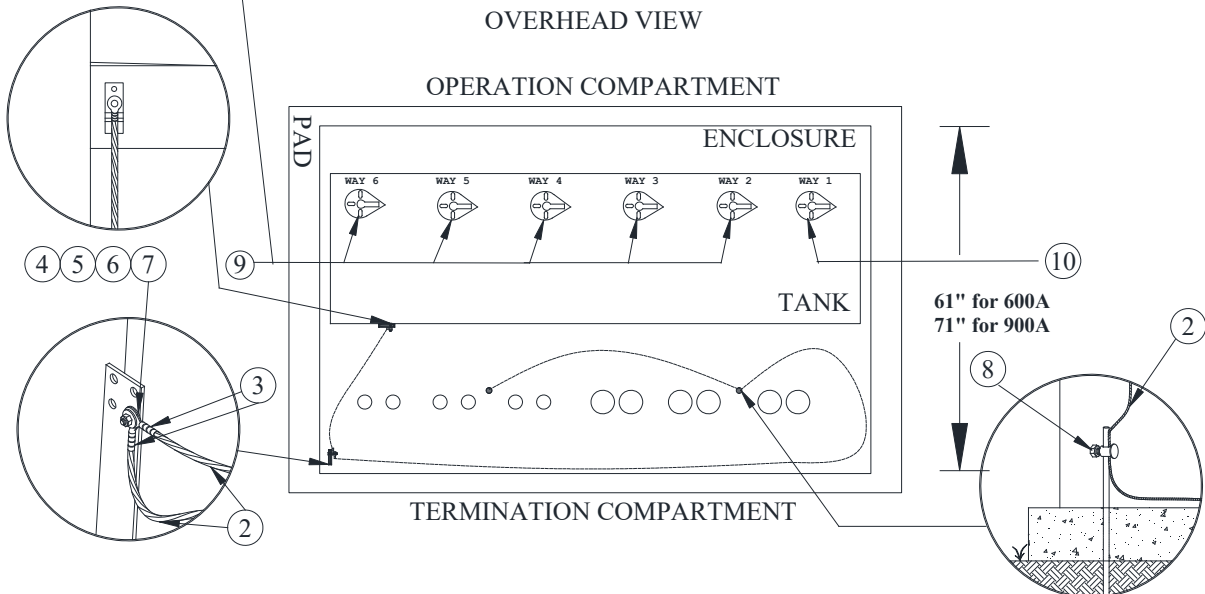
	UNDERGROUND APPARATUS SWITCHGEARS	1561-20B
	SWITCHGEAR PAD MOUNT VISTA 615	Sheet 1 of 2
Rev: 07/01/20		

FRONT VIEW
TERMINATION COMPARTMENT



Note: For Vistas with Single Phase Fault Interrupter Ways, Three Switch Operating Mechanism will be present on the Single Phase Fault Interrupter Ways

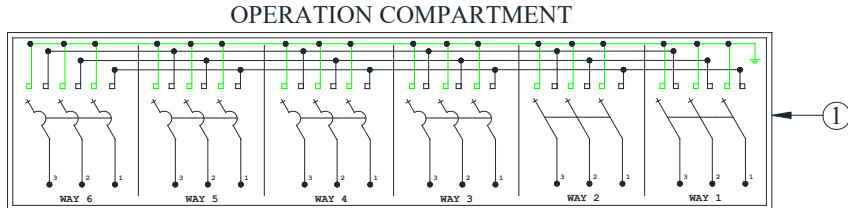
OVERHEAD VIEW



NOTE: ANY PRIMARY BUSHING NOT BEING UTILIZED SHALL HAVE AN INSULATED PROTECTIVE CAP INSTALLED. PROTECTIVE CAP CU TO BE USED IS 'CAPINSULW/TESTPOINT' (PART NUMBER 15573). QTY OF CAPS TO BE DETERMINED BY APPLICATION.

ALL FAULT INTERRUPTER OPERATING MECHANISMS NOT BEING UTILIZED SHALL BE LOCKED IN THE GROUND POSITION.

VISTA MODEL 624 WITH 3PH OPERATION
CIRCUIT CONFIGURATION
OVERHEAD VIEW

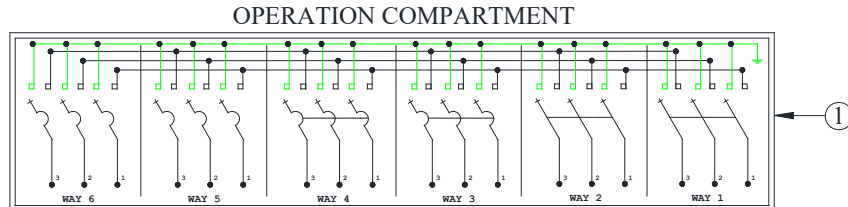


TERMINATION COMPARTMENT

600 Amp Vista 624 1561-18-01
(2) 3 Phase Switch Ways
(4) 3 Phase Fault Ways

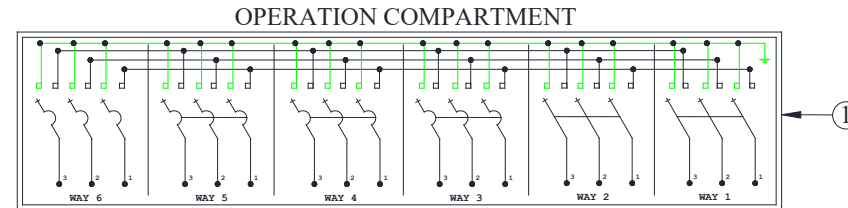
900 Amp Vista 624 1561-18-02
(2) 3 Phase Switch Ways
(4) 3 Phase Fault Interrupter Ways

VISTA MODEL 624 WITH 1PH AND 3PH OPERATION
CIRCUIT CONFIGURATION
OVERHEAD VIEW



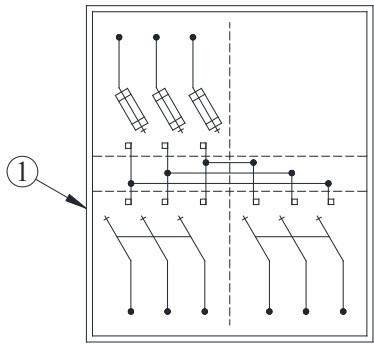
TERMINATION COMPARTMENT

900 Amp Vista 624 1561-18-03
(2) 3 Phase Switch Ways
(2) 3 Phase Fault Interrupter Ways
(2) 1 Phase Fault Interrupter Ways

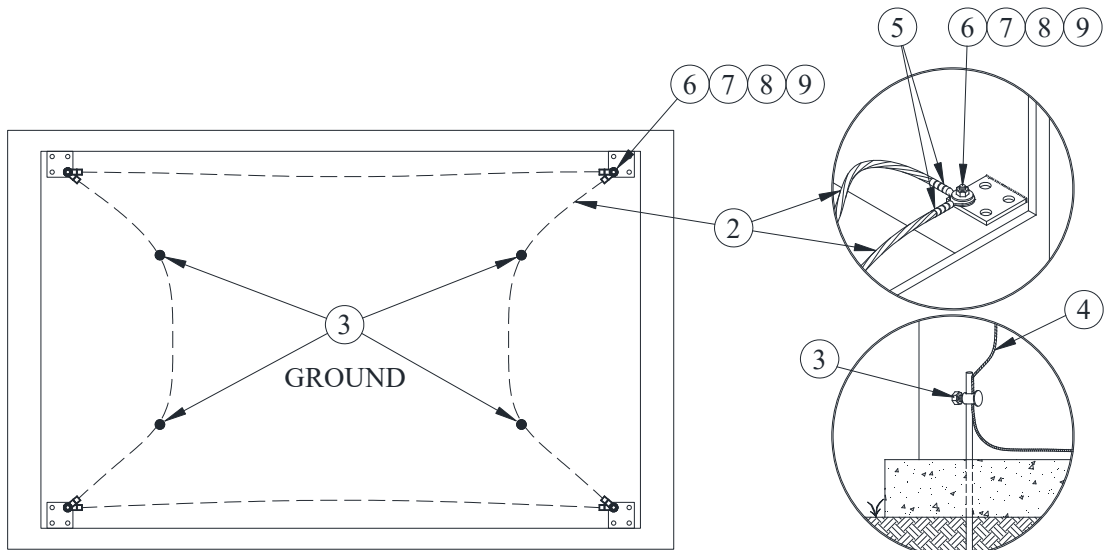
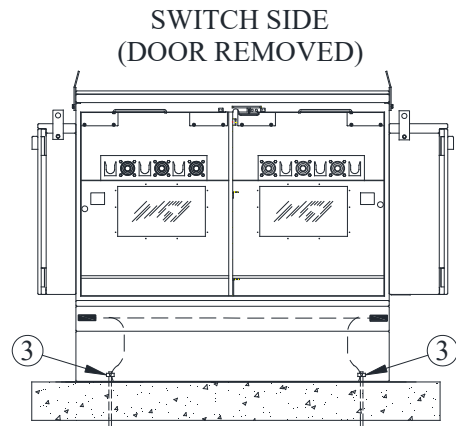
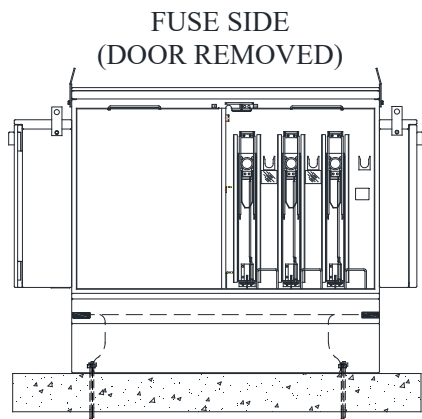
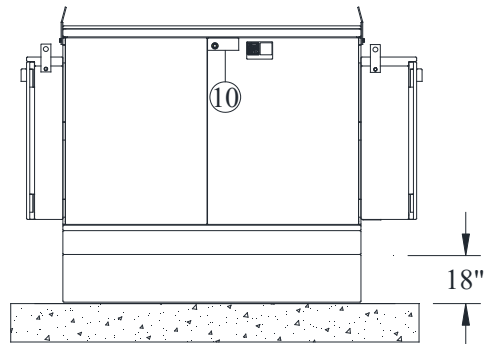


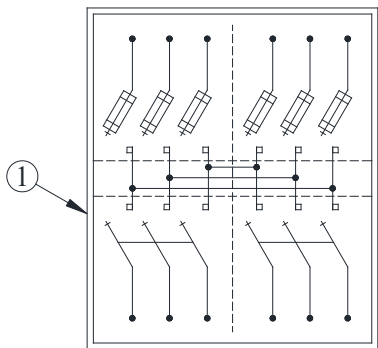
TERMINATION COMPARTMENT

900 Amp Vista 624 1561-18-04
(2) 3 Phase Switch Ways
(3) 3 Phase Fault Interrupter Ways
(1) 1 Phase Fault Interrupter Ways

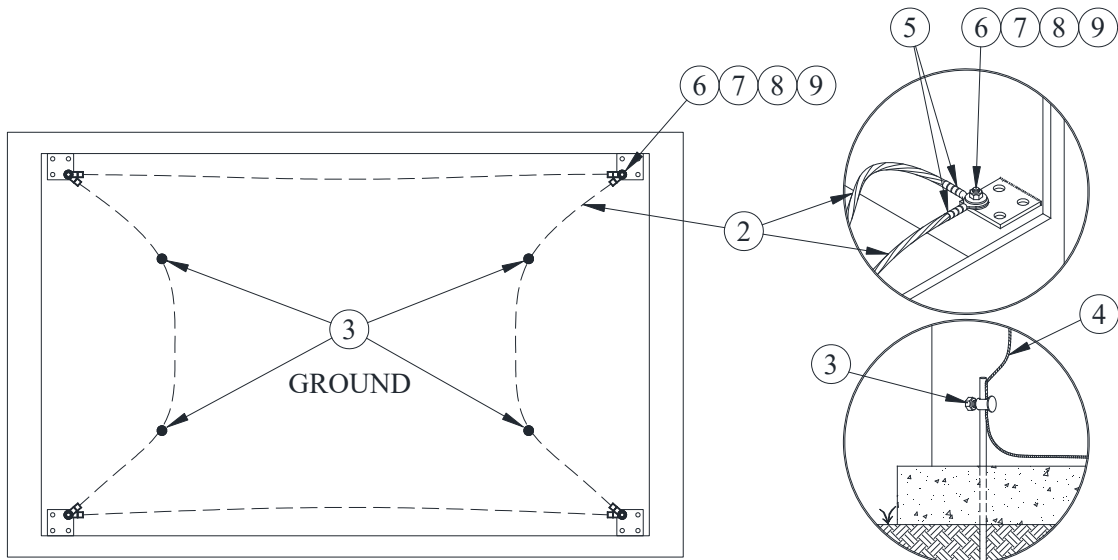
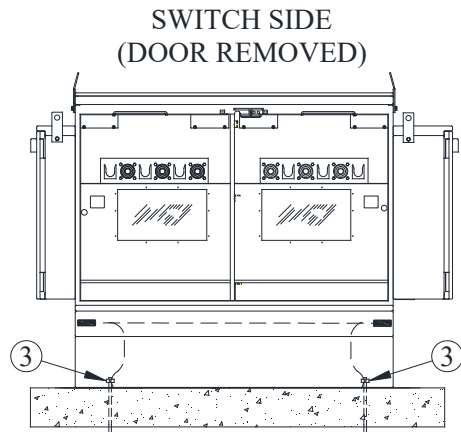
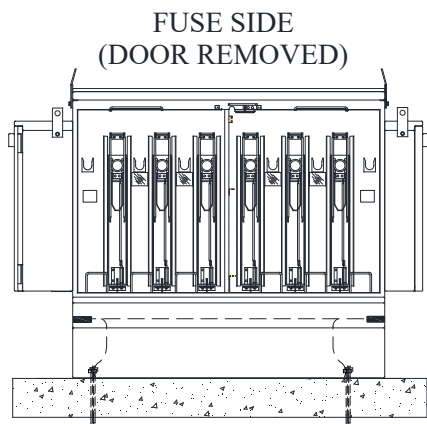
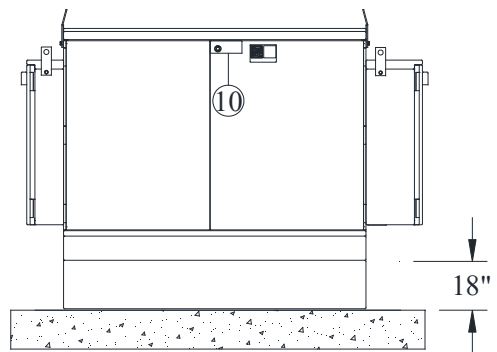


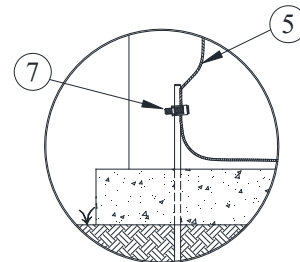
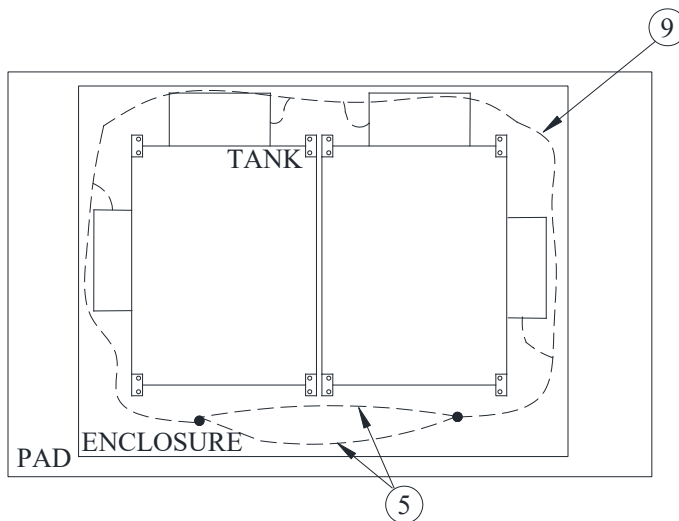
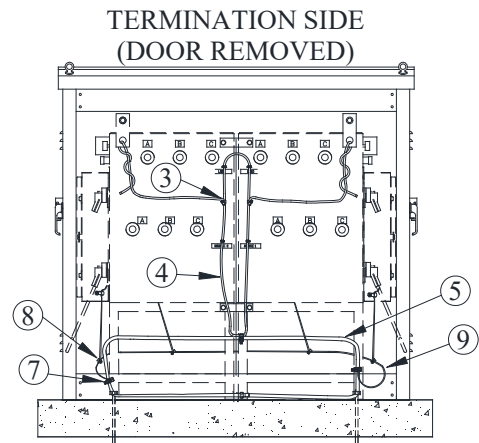
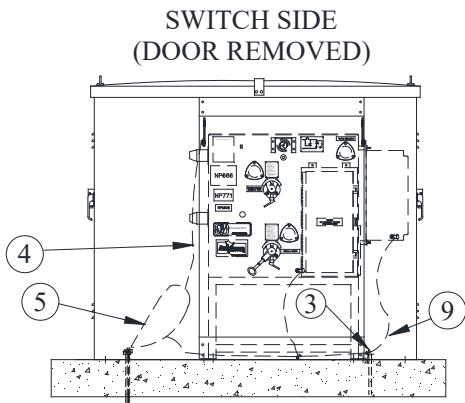
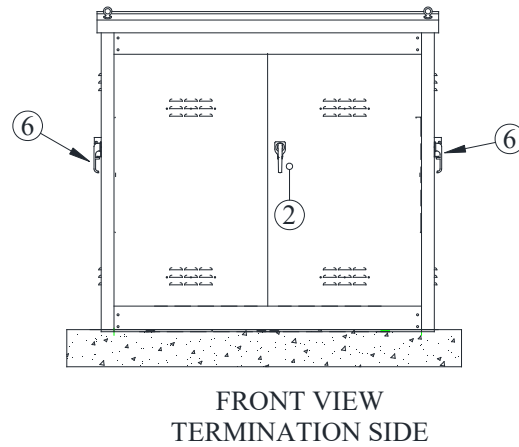
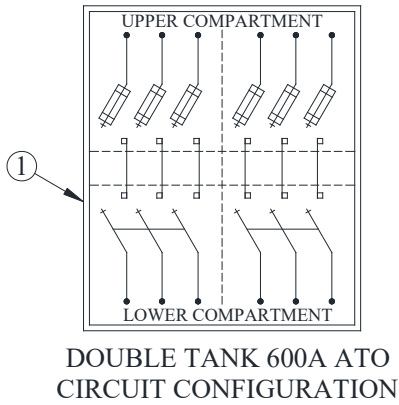
2-SWITCH, 1-TAP ATO
CIRCUIT CONFIGURATION





2-SWITCH, 2-TAP ATO
CIRCUIT CONFIGURATION







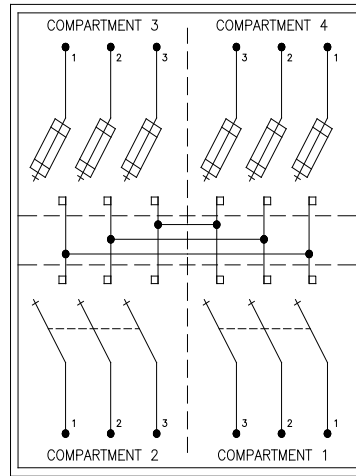
Rev: 07/01/20

UNDERGROUND APPARATUS SWITCHGEARS PAD MOUNTED PME-9 SWITCHGEAR

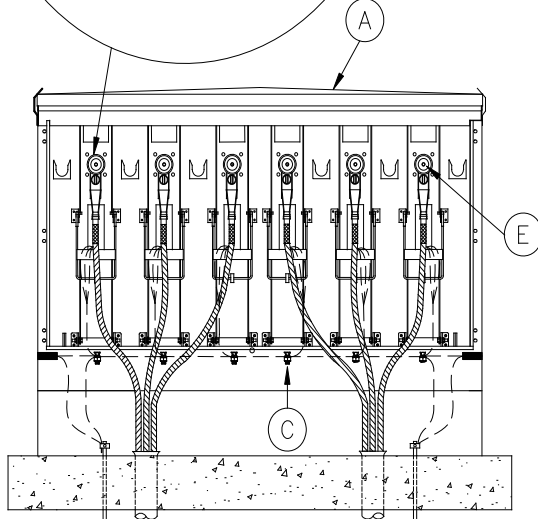
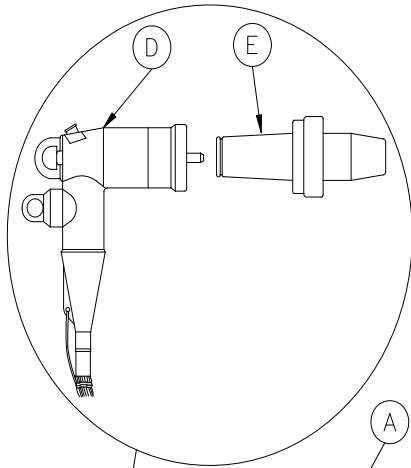
1561-29

Sheet 1 of 2

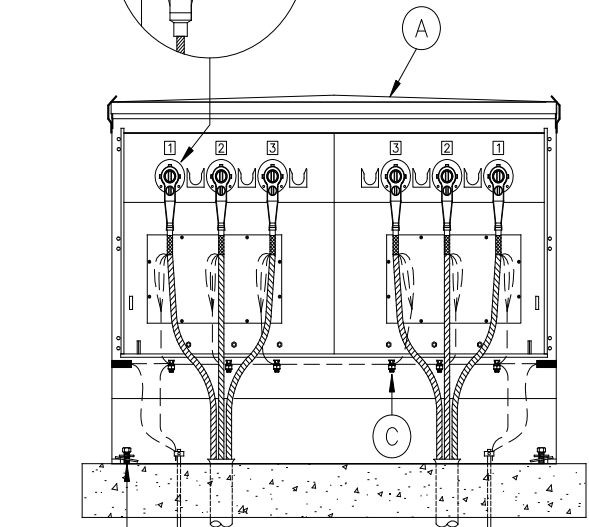
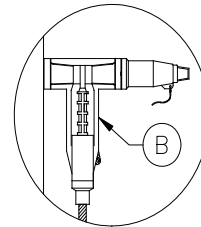
1561-29-01
1561-29-50
1561-29-75



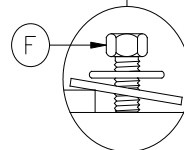
PME-09
CIRCUIT CONFIGURATION



FUSE SIDE
(DOORS REMOVED)



SWITCH SIDE
(DOORS REMOVED)



ANCHOR

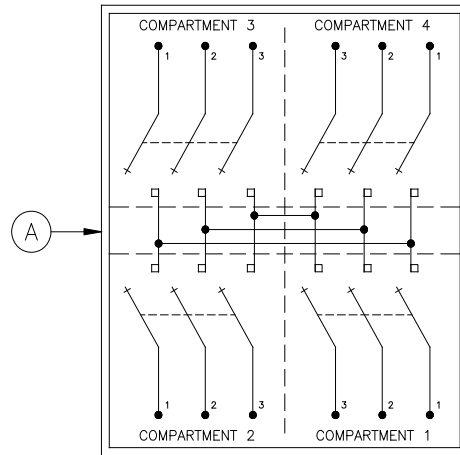


Rev: 07/01/20

UNDERGROUND APPARATUS SWITCHGEARS PAD MOUNTED PME-10 SWITCHGEAR

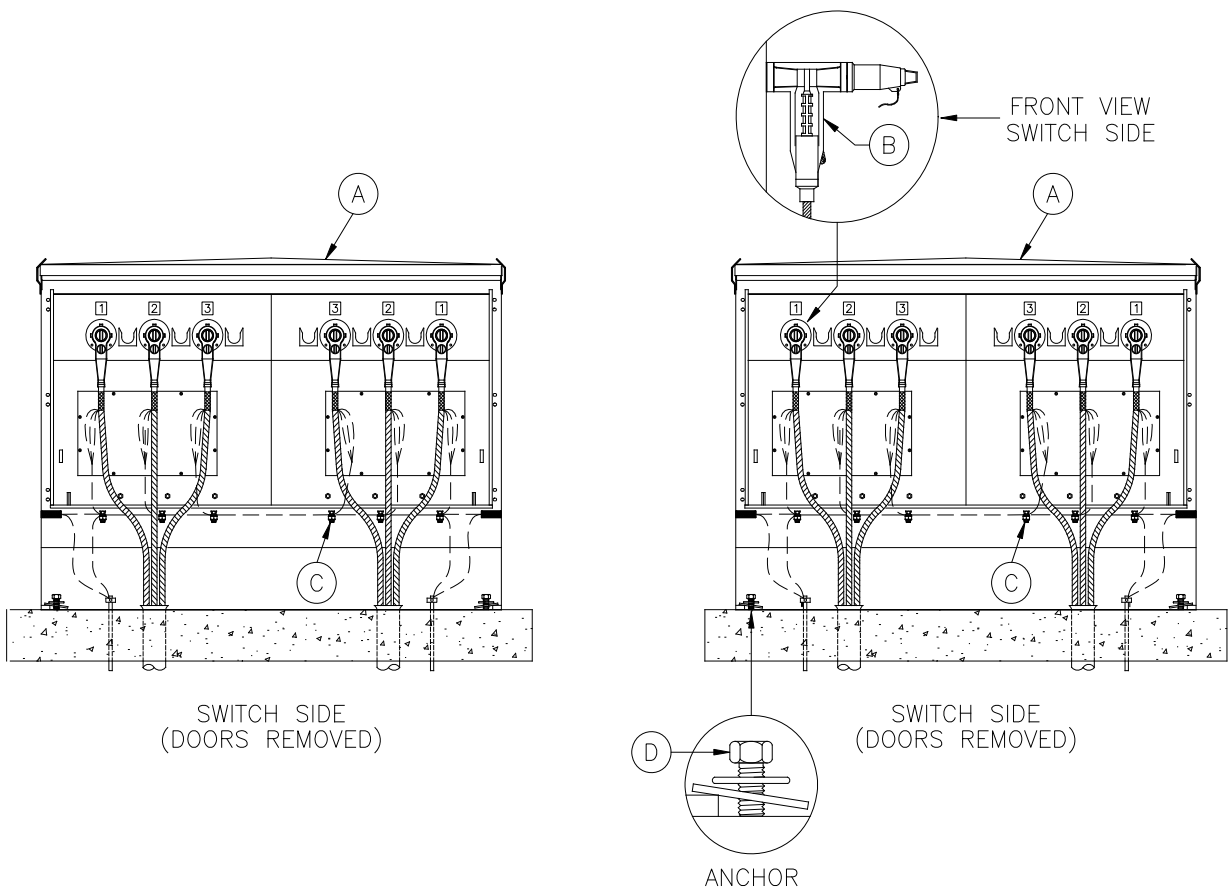
1561-30

Sheet 1 of 2



1561-30-01
1561-30-50
1561-30-75

PME-10
CIRCUIT CONFIGURATION





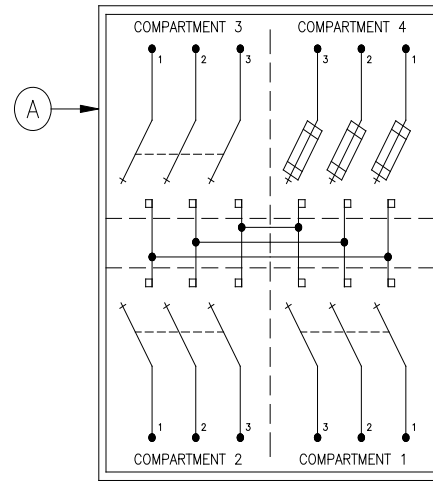
Rev: 07/01/20

UNDERGROUND APPARATUS SWITCHGEARS PAD MOUNTED PME-11 SWITCHGEAR

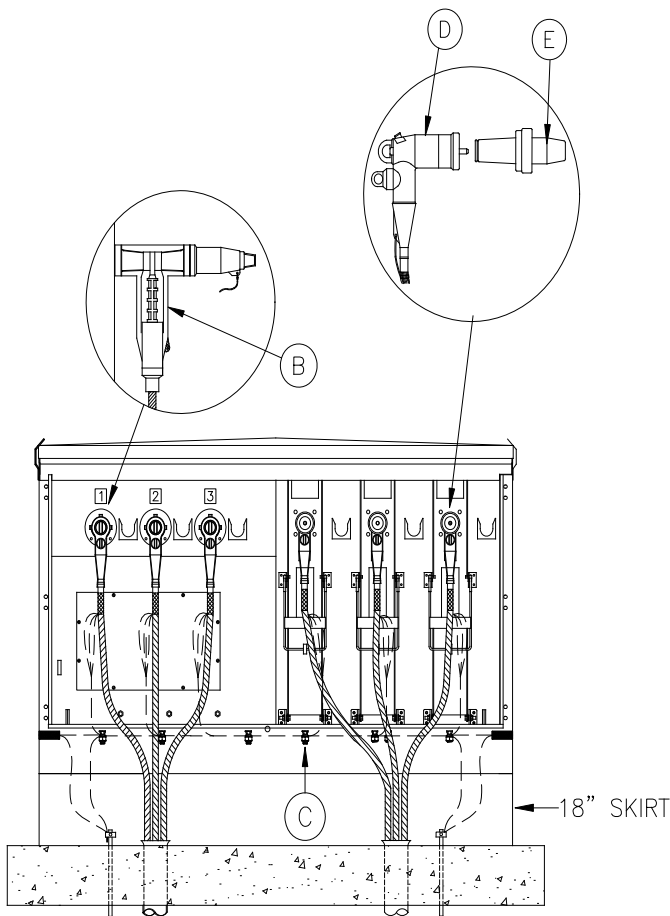
1561-31

Sheet 1 of 2

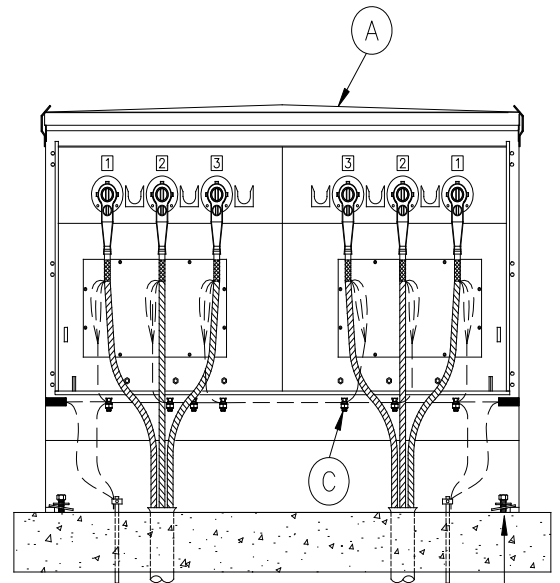
1561-31-01
1561-31-50
1561-31-75



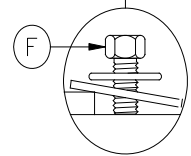
PME-11
CIRCUIT CONFIGURATION




FUSE SIDE
(DOORS REMOVED)



SWITCH SIDE
(DOORS REMOVED)



ANCHOR

1561-31	UNDERGROUND APPARATUS	
Sheet 2 of 2	SWITCHGEARS	
	PAD MOUNTED PME- 11 SWITCHGEAR	Rev: 07/01/20

MU

MU-ID MU-REF MU-DESCRIPTION

SWGPM3PHPME11-250CU 15613101 SWITCHGEAR PAD MOUNT PME 11 W/250 CU

ID	CU-REF	CU-DESC	QTY	MU-REF
A	15611101	SWITCHGEAR PAD MOUNT 3PH PME- 11 DF	1	15613101
B	15021512	ELBOW DEADBREAK 600 AMP 250 CU 15KV	9	15613101
C	12450415	CONN SPLIT BOLT 3/0 STRD CU	12	15613101
D	15021502	ELBOW LOADBREAK 200 AMP 1/0 AWG AL 15KV	3	15613101
E	15020501	BUSHING INSERT LDBK 200 AMP 15KV	3	15613101
F	15020201	ANCH HARDWARE FOR CIP PADS	4	15613101
G	15022130	FAULT INDICATOR WITH 3 PHASE LED LEAD	4	15613101

SWGPM3PHPME11-500CU 15613150 SWITCHGEAR PAD MOUNT PME 11 W/500 CU

ID	CU-REF	CU-DESC	QTY	MU-REF
A	15611101	SWITCHGEAR PAD MOUNT 3PH PME- 11 DF	1	15613150
B	15021515	ELBOW DEADBREAK 600 AMP 500 CU 15KV	9	15613150
C	12450415	CONN SPLIT BOLT 3/0 STRD CU	12	15613150
D	15021502	ELBOW LOADBREAK 200 AMP 1/0 AWG AL 15KV	3	15613150
E	15020501	BUSHING INSERT LDBK 200 AMP 15KV	3	15613150
F	15020201	ANCH HARDWARE FOR CIP PADS	4	15613150
G	15022130	FAULT INDICATOR WITH 3 PHASE LED LEAD	4	15613150

SWGPM3PHPME11-1000CU 15613175 SWITCHGEAR PAD MOUNT PME 11 W/1000 CU

ID	CU-REF	CU-DESC	QTY	MU-REF
A	15611101	SWITCHGEAR PAD MOUNT 3PH PME- 11 DF	1	15613175
B	15021520	ELBOW DEADBREAK 900A 1000 MCM COPPER	3	15613175
C	12450415	CONN SPLIT BOLT 3/0 STRD CU	12	15613175
D	15021502	ELBOW LOADBREAK 200 AMP 1/0 AWG AL 15KV	3	15613175
E	15020501	BUSHING INSERT LDBK 200 AMP 15KV	3	15613175
F	15020201	ANCH HARDWARE FOR CIP PADS	4	15613175
G	15022130	FAULT INDICATOR WITH 3 PHASE LED LEAD	1	15613175
H	15022135	FAULT IND FOR 1000 MCM WITH 3PH LED LEAD	3	15613175



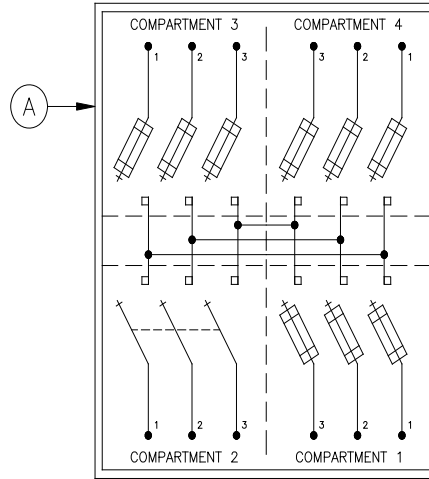
Rev: 07/01/20

UNDERGROUND APPARATUS SWITCHGEARS PAD MOUNTED PME-12 SWITCHGEAR

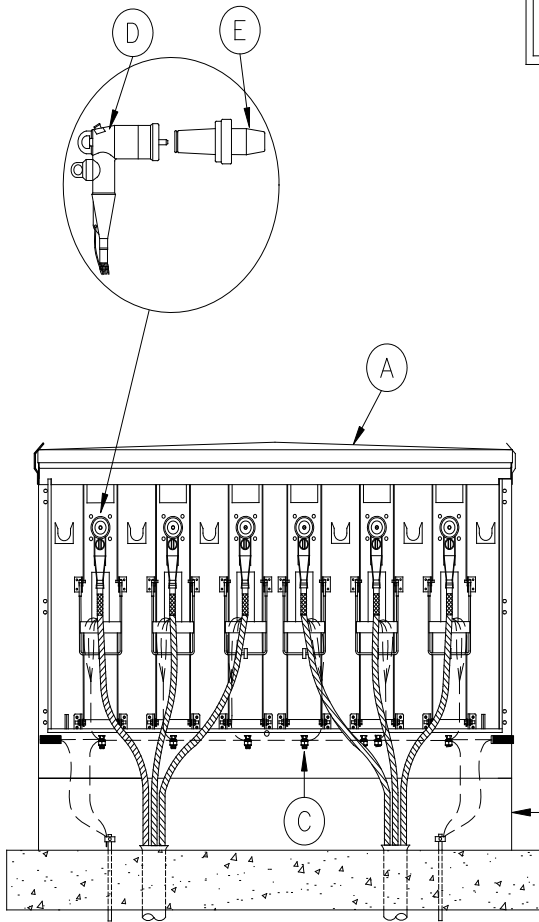
1561-32

Sheet 1 of 2

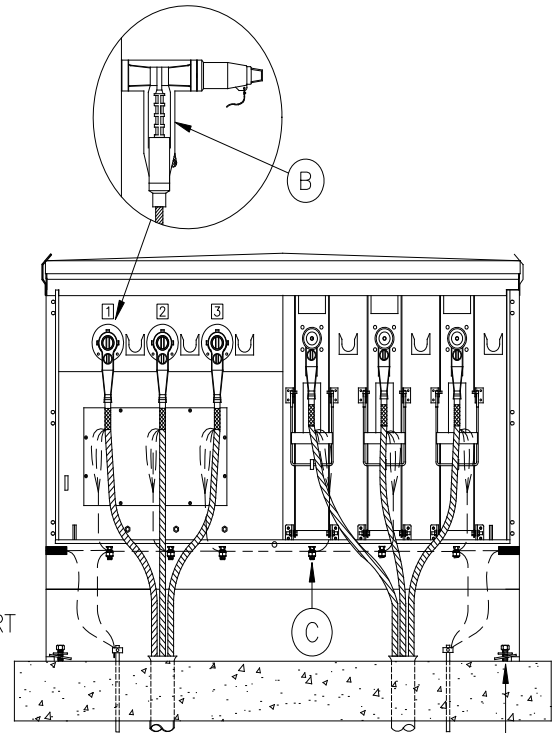
1561-32-01
1561-32-50
1561-32-75



PME-12
CIRCUIT CONFIGURATION




FUSE SIDE
(DOORS REMOVED)



SWITCH SIDE
(DOORS REMOVED)

ANCHOR

1561-32	UNDERGROUND APPARATUS	
Sheet 2 of 2	SWITCHGEARS	
	PAD MOUNTED PME- 12 SWITCHGEAR	
		Rev: 07/01/20

MU

MU-ID MU-REF MU- DESCRIPTION

SWGPM3PHPME12-250CU 15613201 SWITCHGEAR PAD MOUNT PME 12 W/250 CU

ID	CU-REF	CU-DESC	QTY	MU-REF
A	15611201	SWITCHGEAR PAD MOUNT 3PH PME- 12 DF	1	15613201
B	15021512	ELBOW DEADBREAK 600 AMP 250 CU 15KV	3	15613201
C	12450415	CONN SPLIT BOLT 3/0 STRD CU	12	15613201
D	15021502	ELBOW LOADBREAK 200 AMP 1/0 AWG AL 15KV	9	15613201
E	15020501	BUSHING INSERT LDBK 200 AMP 15KV	9	15613201
F	15020201	ANCH HARDWARE FOR CIP PADS	4	15613201
G	15022130	FAULT INDICATOR WITH 3 PHASE LED LEAD	4	15613201

SWGPM3PHPME12-500CU 15613250 SWITCHGEAR PAD MOUNT PME 12 W/500 CU

ID	CU-REF	CU-DESC	QTY	MU-REF
A	15611201	SWITCHGEAR PAD MOUNT 3PH PME- 12 DF	1	15613250
B	15021515	ELBOW DEADBREAK 600 AMP 500 CU 15KV	3	15613250
C	12450415	CONN SPLIT BOLT 3/0 STRD CU	12	15613250
D	15021502	ELBOW LOADBREAK 200 AMP 1/0 AWG AL 15KV	9	15613250
E	15020501	BUSHING INSERT LDBK 200 AMP 15KV	9	15613250
F	15020201	ANCH HARDWARE FOR CIP PADS	4	15613250
G	15022130	FAULT INDICATOR WITH 3 PHASE LED LEAD	4	15613250

SWGPM3PHPME12-1000CU 15613275 SWITCHGEAR PAD MOUNT PME 12 W/1000 CU

ID	CU-REF	CU-DESC	QTY	MU-REF
A	15611201	SWITCHGEAR PAD MOUNT 3PH PME- 12 DF	1	15613275
B	15021520	ELBOW DEADBREAK 900A 1000 MCM COPPER	3	15613275
C	12450415	CONN SPLIT BOLT 3/0 STRD CU	12	15613275
D	15021502	ELBOW LOADBREAK 200 AMP 1/0 AWG AL 15KV	9	15613275
E	15020501	BUSHING INSERT LDBK 200 AMP 15KV	9	15613275
F	15020201	ANCH HARDWARE FOR CIP PADS	4	15613275
G	15022130	FAULT INDICATOR WITH 3 PHASE LED LEAD	3	15613275
H	15022135	FAULT IND FOR 1000 MCM WITH 3PH LED LEAD	1	15613275

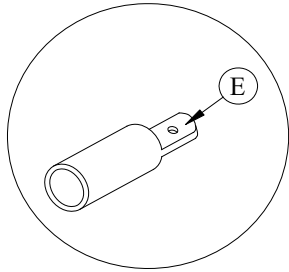


Rev: 07/01/20

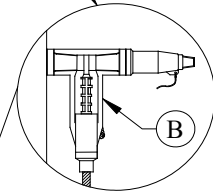
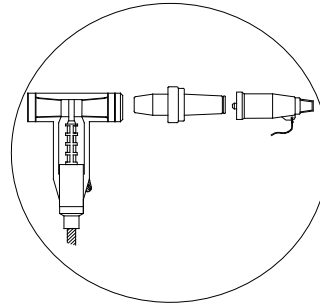
UNDERGROUND APPARATUS
SWITCHGEARS
SWITCHGEAR PAD MOUNT VISTA 3 WAY

1561-36

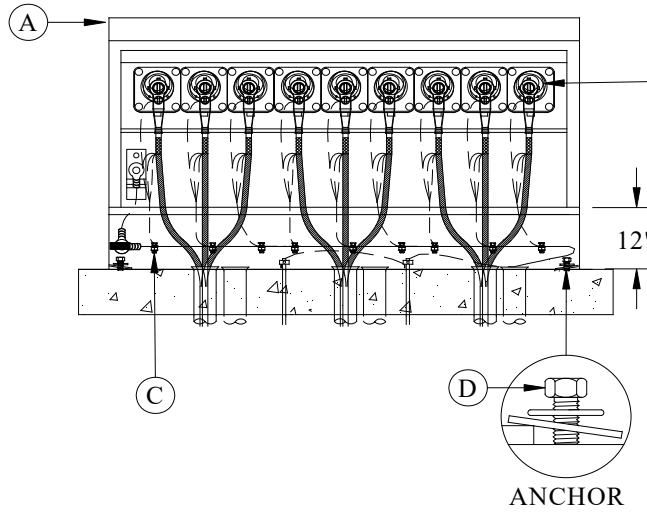
Sheet 1 of 2



NOTE: FOR USE ON 1/0 AL ONLY



FRONT VIEW
TERMINATION SIDE



600 Amp Vista 321 1/0 AL	1561-37-01
600 Amp Vista 321 250 CU	1561-37-11
600 Amp Vista 321 500 CU	1561-37-21
900 Amp Vista 321 1000 CU	1561-37-31

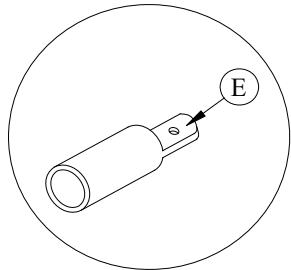


Rev: 07/01/20

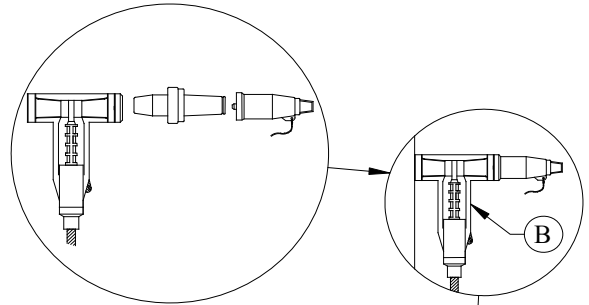
UNDERGROUND APPARATUS
SWITCHGEARS
SWITCHGEAR PAD MOUNT VISTA 4 WAY

1561-38

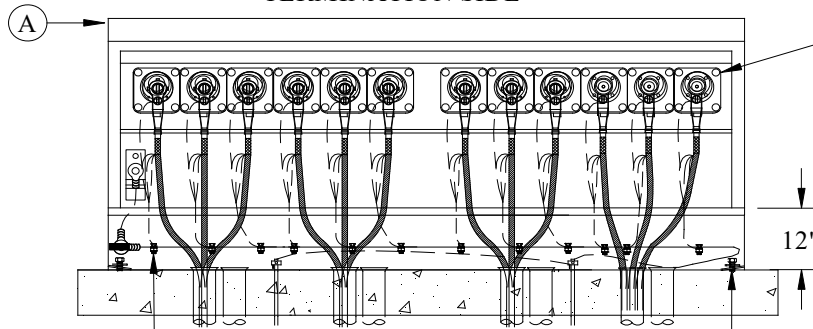
Sheet 1 of 3



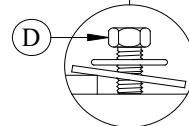
NOTE: FOR USE ON 1/0 AL ONLY



FRONT VIEW
TERMINATION SIDE




C



ANCHOR

600 Amp Vista 422 1/0 AL	1561-38-01
600 Amp Vista 422 250 CU	1561-38-11
600 Amp Vista 422 500 CU	1561-38-21
900 Amp Vista 422 1000 CU	1561-38-31
600 Amp Vista 440 1/0 AL	1561-38-41
600 Amp Vista 440 250 CU	1561-38-51
600 Amp Vista 440 500 CU	1561-38-61
900 Amp Vista 440 1000 CU	1561-38-71

	UNDERGROUND APPARATUS SWITCHGEARS	1561-38
	SWITCHGEAR PAD MOUNT VISTA 4 WAY	Sheet 3 of 4
Rev: 07/01/20		

SWGPMVISTA440-600A250 15613812 SWITCHGEAR VISTA 440 600A 250MCM

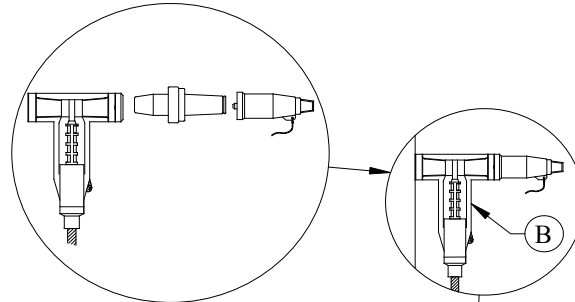
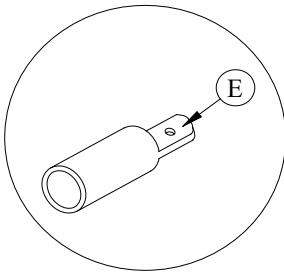
ID	CU-REF	CU-DESC	QTY	MU-REF
A	15611701	SWITCHGEAR VISTA 600 AMP MODEL 440	1	15613812
B	15021512	ELBOW DEADBREAK 600 AMP 250 CU 15KV	12	15613812
C	12450415	CONN SPLIT BOLT 3/0 STRD CU	12	15613812
D	15020201	ANCH HARDWARE FOR CIP PADS	4	15613812
E	15022130	FAULT INDICATOR WITH 3 PHASE LED LEAD	4	15613812

SWGPMVISTA440-600A500 15613813 SWITCHGEAR VISTA 440 600A 500MCM

ID	CU-REF	CU-DESC	QTY	MU-REF
A	15611701	SWITCHGEAR VISTA 600 AMP MODEL 440	1	15613813
B	15021515	ELBOW DEADBREAK 600 AMP 500 CU 15KV	12	15613813
C	12450415	CONN SPLIT BOLT 3/0 STRD CU	12	15613813
D	15020201	ANCH HARDWARE FOR CIP PADS	4	15613813
E	15022130	FAULT INDICATOR WITH 3 PHASE LED LEAD	4	15613813

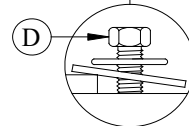
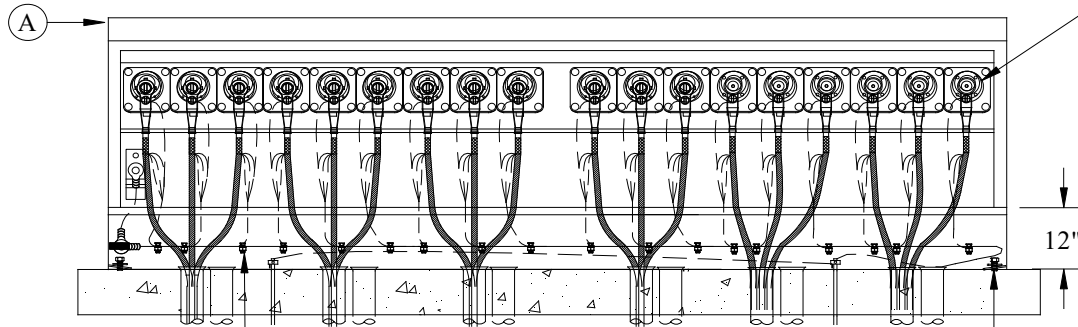
SWGPMVISTA440-900A1000 15613814 SWITCHGEAR VISTA 440 900A 1000MCM

ID	CU-REF	CU-DESC	QTY	MU-REF
A	15611702	SWITCHGEAR VISTA 900 AMP MODEL 440	1	15613814
B	15021520	ELBOW DEADBREAK 900A 1000 MCM COPPER	12	15613814
C	12450415	CONN SPLIT BOLT 3/0 STRD CU	12	15613814
D	15020201	ANCH HARDWARE FOR CIP PADS	4	15613814
E	15022135	FAULT IND FOR 1000 MCM WITH 3PH LED LEAD	4	15613814



NOTE: FOR USE ON 1/0 AL ONLY

FRONT VIEW
TERMINATION SIDE



ANCHOR

600 Amp Vista 624 1/0 AL	1561-39-01
600 Amp Vista 624 250 CU	1561-39-11
600 Amp Vista 624 500 CU	1561-39-21
900 Amp Vista 624 1000 CU	1561-39-31
600 Amp Vista 633 1/0 AL	1561-39-41
600 Amp Vista 633 250 CU	1561-39-51
600 Amp Vista 633 500 CU	1561-39-61
900 Amp Vista 633 1000 CU	1561-39-71



Rev: 07/01/20

**UNDERGROUND APPARATUS
SWITCHGEARS
SWITCHGEAR PAD MOUNT VISTA 6 WAY**

1561-39
Sheet 2 of 3

MU

MU-ID

MU-REF

MU-DESCRIPTION

SWGPMVISTA624-600A1/0

15613901

SWITCHGEAR VISTA 624 600A 1/0

ID	CU-REF	CU-DESC	QTY	MU-REF
A	15611801	SWITCHGEAR VISTA 600 AMP MODEL 624	1	15613901
B	15021510	ELBOW DEADBREAK 600 AMP 1/0 AL 15KV	6	15613901
C	12450415	CONN SPLIT BOLT 3/0 STRD CU	18	15613901
D	15020201	ANCH HARDWARE FOR CIP PADS	4	15613901
E	15022130	FAULT INDICATOR WITH 3 PHASE LED LEAD	6	15613901

SWGPMVISTA624-600A250

15613902

SWITCHGEAR VISTA 624 600A 250MCM

ID	CU-REF	CU-DESC	QTY	MU-REF
A	15611801	SWITCHGEAR VISTA 600 AMP MODEL 624	1	15613902
B	15021512	ELBOW DEADBREAK 600 AMP 250 CU 15KV	6	15613902
C	12450415	CONN SPLIT BOLT 3/0 STRD CU	18	15613902
D	15020201	ANCH HARDWARE FOR CIP PADS	4	15613902
E	15022130	FAULT INDICATOR WITH 3 PHASE LED LEAD	6	15613902

SWGPMVISTA624-600A500

15613903

SWITCHGEAR VISTA 624 600A 500MCM

ID	CU-REF	CU-DESC	QTY	MU-REF
A	15611801	SWITCHGEAR VISTA 600 AMP MODEL 624	1	15613903
B	15021515	ELBOW DEADBREAK 600 AMP 500 CU 15KV	6	15613903
C	12450415	CONN SPLIT BOLT 3/0 STRD CU	18	15613903
D	15020201	ANCH HARDWARE FOR CIP PADS	4	15613903
E	15022130	FAULT INDICATOR WITH 3 PHASE LED LEAD	6	15613903

SWGPMVISTA624-900A1000

15613904

SWITCHGEAR VISTA 624 900A 1000MCM


ID	CU-REF	CU-DESC	QTY	MU-REF
A	15611802	SWITCHGEAR VISTA 900 AMP MODEL 624	1	15613904
B	15021520	ELBOW DEADBREAK 900A 1000 MCM COPPER	6	15613904
C	12450415	CONN SPLIT BOLT 3/0 STRD CU	18	15613904
D	15020201	ANCH HARDWARE FOR CIP PADS	4	15613904
E	15022130	FAULT INDICATOR WITH 3 PHASE LED LEAD	4	15613904
F	15022135	FAULT IND FOR 1000 MCM WITH 3PH LED LEAD	2	15613904

SWGPMVISTA633-600A1/0

15613931

SWITCHGEAR VISTA 633 600A 1/0

ID	CU-REF	CU-DESC	QTY	MU-REF
A	15611901	SWITCHGEAR VISTA 600 AMP MODEL 633	1	15613931
B	15021510	ELBOW DEADBREAK 600 AMP 1/0 AL 15KV	9	15613931
C	12450415	CONN SPLIT BOLT 3/0 STRD CU	18	15613931
D	15020201	ANCH HARDWARE FOR CIP PADS	4	15613931
E	15022130	FAULT INDICATOR WITH 3 PHASE LED LEAD	6	15613931

1561-39	UNDERGROUND APPARATUS	
Sheet 3 of 3	SWITCHGEARS	
	SWITCHGEAR PAD MOUNT VISTA 6 WAY	
		Rev: 07/01/20

SWGPMVISTA633-600A250 15613932 SWITCHGEAR VISTA 633 600A 250MCM

ID	CU-REF	CU-DESC	QTY	MU-REF
A	15611901	SWITCHGEAR VISTA 600 AMP MODEL 633	1	15613932
B	15021512	ELBOW DEADBREAK 600 AMP 250 CU 15KV	9	15613932
C	12450415	CONN SPLIT BOLT 3/0 STRD CU	18	15613932
D	15020201	ANCH HARDWARE FOR CIP PADS	4	15613932
E	15022130	FAULT INDICATOR WITH 3 PHASE LED LEAD	6	15613932

SWGPMVISTA633-600A500 15613933 SWITCHGEAR VISTA 633 600A 500 MCM

ID	CU-REF	CU-DESC	QTY	MU-REF
A	15611901	SWITCHGEAR VISTA 600 AMP MODEL 633	1	15613933
B	15021515	ELBOW DEADBREAK 600 AMP 500 CU 15KV	9	15613933
C	12450415	CONN SPLIT BOLT 3/0 STRD CU	18	15613933
D	15020201	ANCH HARDWARE FOR CIP PADS	4	15613933
E	15022130	FAULT INDICATOR WITH 3 PHASE LED LEAD	6	15613933

SWGPMVISTA633-900A1000 15613934 SWITCHGEAR VISTA 633 900A 1000MCM

ID	CU-REF	CU-DESC	QTY	MU-REF
A	15611902	SWITCHGEAR VISTA 900 AMP MODEL 633	1	15613934
B	15021520	ELBOW DEADBREAK 900A 1000 MCM COPPER	9	15613934
C	12450415	CONN SPLIT BOLT 3/0 STRD CU	18	15613934
D	15020201	ANCH HARDWARE FOR CIP PADS	4	15613934
E	15022130	FAULT INDICATOR WITH 3 PHASE LED LEAD	3	15613934
F	15022135	FAULT IND FOR 1000 MCM WITH 3PH LED LEAD	3	15613934