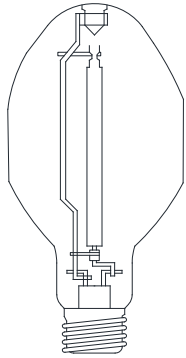
 Rev: 08/01/20	ILLUMINATION STANDARD MAINTENANCE MATERIALS	1928,1931+
		Sheet 1 of 1

1928 STANDARD MAINTENANCE MATERIALS

CONTAINS

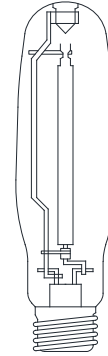
- 1928-20 LAMPS, IGNITOR, ROAM, AND PE**
- 1928-30 100W COBRAHEAD LED'S**
- 1928-32 250W COBRAHEAD LED'S & FLOODLIGHTS**
- 1928-33 400W COBRAHEAD LED'S & FLOODLIGHTS**
- 1928-34 1000W AND 1500W FLOOD & BALLPARK**
- 1928-45 MIDGET FUSES AND HOLDERS**
- 1928-50 RELAYS 30 AMP**
- 1928-55 RELAYS 60 AMP**
- 1928-60 BRACKET**
- 1928-65 FLEX CONDUIT NON-METALIC**
- 1928-70 CONNECTORS AND SPLICES**
- 1931-10 POWER STATIONS 120V**
- 1931-11 POWER STATIONS 240V**
- 1931-15 POWER STATION 120V WOOD POLE**
- 1931-16 POWER STATION 240V WOOD POLE**



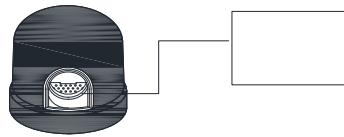
- 1928-20-02 100W MH LAMP
- 1928-20-04 250W MH LAMP
- 1928-20-06 400W MH LAMP
- 1928-20-08 1000W MH LAMP
- 1928-20-10 1500W MH LAMP
- 1928-20-20 150W PS MH LAMP
- 1928-20-21 250W PS MH LAMP
- 1928-20-25 400W PS MH BT-28 LAMP



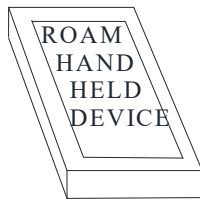
PHOTO STREET LIGHT
CONTROLLER 120V
1928-20-35



- 1928-20-12 100W HPS LAMP
- 1928-20-14 250W HPS LAMP
- 1928-20-16 400W HPS LAMP
- 1928-20-18 1000W HPS LAMP



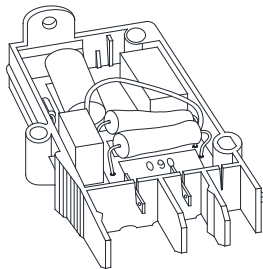
CONTROLLER, ROAM, WITH
DIMMING MODULE, DEC, STLT.
1928-20-72



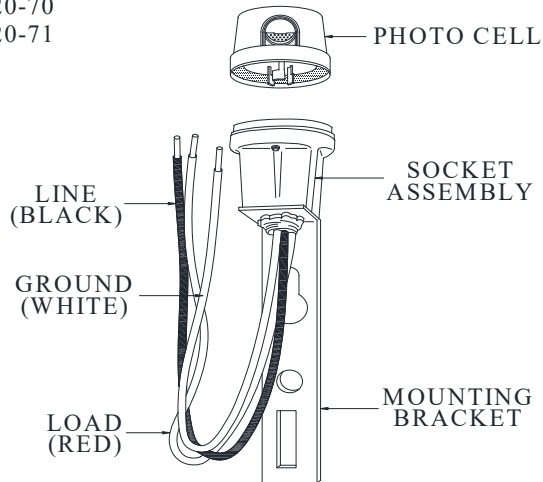
ROAM HAND HELD
DEPLOYMENT DEVICE
1928-20-80




CONTROLLER 5-PIN, STLT, ROAM
NODE COBRAHEAD TO 1000W
1928-20-70
1928-20-71



STARTER REPLACEMENT
UNIVERSAL
1928-20-50



POLE-MOUNTED ELECTRIC
PHOTO CELL BASE
1928-20-60

1928-20	ILLUMINATION	
Sheet 3 of 3	STREET LIGHT MATERIALS	
	LAMPS, IGNITOR, AND PE	Rev: 08/01/20

CU

LPMHPSMB250W 19282021 LAMP MH PULSE START MOGUL BASE 250W

ID	PART NUM	PART DESC	QTY	CU-REF
1	0000022378	LAMP PULSE START METAL HALIDE 250W	1 EA	19282021

LPMHPSMB400WBT28 19282025 LAMP MH PULSE START MOGUL BASE 400W BT28

ID	PART NUM	PART DESC	QTY	CU-REF
1	0000022379	LAMP PULSE START METAL HALIDE 400W MOGAL BASE BT-28	1 EA	19282025

CNTRPE120V 19282035 CONTROLLER PE 120V/208V/240V/277V

ID	PART NUM	PART DESC	QTY	CU-REF
1	0000006766	CONTROLLER STREET LIGHT 1000 W 120/240/277 V	1 EA	19282035

STRRPLUNIHPV 19282050 STARTER REPLACEMENT UNIVERSAL HPS

ID	PART NUM	PART DESC	QTY	CU-REF
1	0000006748	KIT UNIVERSAL STARTER REPLACEMENT HPS LUMINARIES	1 EA	19282050

PHTCELLBASE 19282060 PHOTO CELL BASE

ID	PART NUM	PART DESC	QTY	CU-REF
1	0000006768	RECEPTACLE PHOTO CONTROLLER 10/15 AMP 120/240 VOLT	1 EA	19282060

CNTRCOMSL 19282070 CONTROLLER, COMM 5 PIN HD ST LT 70-1000W

ID	PART NUM	PART DESC	QTY	CU-REF
1	0000023750	CONTROLLER, 5-PIN, STLT, ROAM NODE COBRA HEAD 70 1000W	1 EA	19282070

CNTRCOMSLGPS 19282071 CONTROLLER, 5 STLT ROAM NODE COBRAHEAD

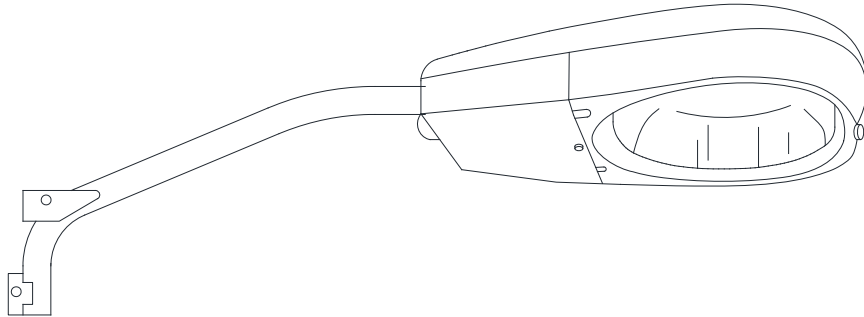
ID	PART NUM	PART DESC	QTY	CU-REF
1	0000023751	CONTROLLER,5PIN STLT ROAM NODECOBRAHD70/1000WGPPSENABLED	1 EA	19282071

CNTRCOMDEC 19282072 CONTROLLER COMMUNICATION DECORATIVE

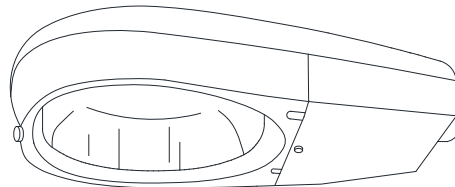
ID	PART NUM	PART DESC	QTY	CU-REF
1	0000022397	CONTROLLER ROAM 3 PIN COM DEVICE FOR DECORATIVE FIXURE	1 EA	19282072

ROAMHANDDEV 19282080 ROAM HAND HELD DEPLOYMENT DEVICE


ID	PART NUM	PART DESC	QTY	CU-REF
1	0000023771	DEVICE, ROAM HANDHELD DEPLOYMENT	1 EA	19282080



NIGHT WATCHMAN 100W EQUIV LED
COBRA FIXTURE
WITH TYPE III LIGHT DISTRIBUTION
WITH 30" ARM, LAMP, AND ROAM
NODE
1928-30-02



- 100W EQUIV LED COBRAHEAD
LUMINAIRE-GRAY
1928-30-20
- 100W EQUIV LED COBRAHEAD
LUMINAIRE-BLACK
1928-30-25
- 100W EQUIV LED COBRAHEAD
LUMINAIRE-BROWN
1928-30-30
- 100W EQUIV LED COBRAHEAD
LUMINAIRE-GREEN
1928-30-35

1928-30	ILLUMINATION	
Sheet 2 of 2	STREET LIGHT MATERIALS	
	100W LUMINAIRES & 100W EQUIV LED LUMINAIRES	
		Rev: 08/01/20

CU

CU- ID	CU- REF	CU- Description
NGHTWTCHPKLED30IN	19283002	NIGHT WATCHMAN LED PKG W/30IN ARM

ID	PART NUM	PART DESC	QTY		CU- REF
1	0000022567	LUMINAIRE LED 100W EQUIV W/DIMMING CAPABILITY GRAY	1	EA	19283002
2	0000023750	CONTROLLER, 5- PIN, STLT, ROAM NODE COBRA HEAD 70 1000W	1	EA	19283002
3	0000006765	ARM MAST METAL SLPA 1- 1/4 X 30 IN	1	EA	19283002
4	0000008418	BOLT MACH SQ HEAD HOT DIP GALV G5 5/8 X 10	1	EA	19283002
5	0000008499	WASHER SQ HOT DIP GALV 2- 1/4 IN X 2- 1/4 IN X 3/16 IN	1	EA	19283002
6	0000008459	NUT SQ HOT DIP GALV G5CT 5/8	1	EA	19283002
7	0000008443	BOLT LAG HOT DIP GALV FETTER DRIVE G5CT 1/2 X 4	2	EA	19283002
8	0000001236	WASHER COIL SPRING ZINC FOR 5/8 IN BOLT	1	EA	19283002

LUMLED100W	19283020	LUMINAIRE LED 100W EQUIVALENT GRAY
------------	----------	------------------------------------

ID	PART NUM	PART DESC	QTY		CU- REF
1	0000022567	LUMINAIRE LED 100W EQUIV W/DIMMING CAPABILITY GRAY	1	EA	19283020

LUMLED100WBLK	19283025	LUMINAIRE LED 100W EQUIVALENT BLACK
---------------	----------	-------------------------------------

ID	PART NUM	PART DESC	QTY		CU- REF
1	0000023820	ST LIGHT LED 100W EQUIVALENT W/DIMMING CAPABILITY BLK	1	EA	19283025

LUMLED100WBRN	19283030	LUMINAIRE LED 100W EQUIVALENT BROWN
---------------	----------	-------------------------------------

ID	PART NUM	PART DESC	QTY		CU- REF
1	0000023815	ST LIGHT LED 100W EQUIVALENT W/DIMMING CAPABILITY BRN	1	EA	19283030

LUMLED100WGRN	19283035	LUMINAIRE LED 100W EQUIVALENT GREEN
---------------	----------	-------------------------------------

ID	PART NUM	PART DESC	QTY		CU- REF
1	0000023729	ST LIGHT LED 100W EQUIVALENT W/DIMMING CAPABILITY GRN	1	EA	19283035



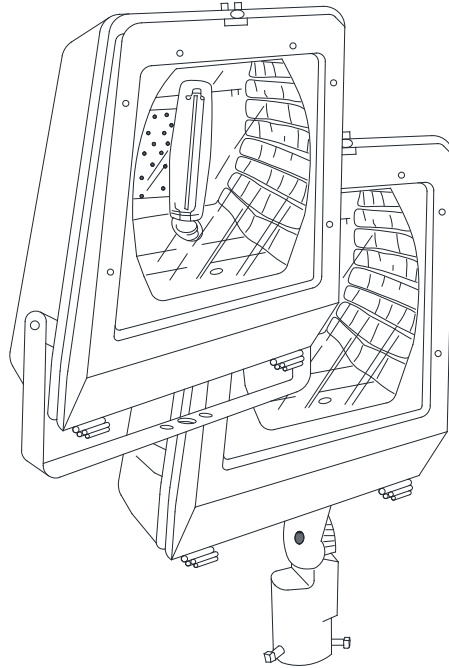
Rev: 08/01/20

ILLUMINATION
STREET LIGHT MATERIALS

1928-32

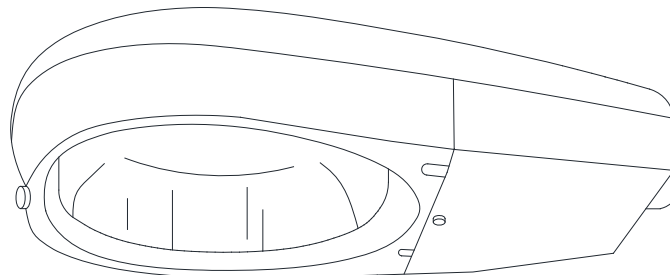
Sheet 1 of 2

250W LUMINAIRES & 250W EQUIV LED LUMINAIRES




250W HPS FLOODLIGHT
MULTI-TAP WIRED
1928-32-20

250W MH FLOODLIGHT MULTI-TAP
1928-32-25



250W LED EQUIV
COBRAHEAD LUMINAIRE
1928-32-30 - GRAY
1928-32-35 - BLACK
1928-32-40 - BROWN
1928-32-45 - GREEN

1928-32	ILLUMINATION STREET LIGHT MATERIALS 250W LUMINAIRES & 250W EQUIV LED LUMINAIRES	
Sheet 2 of 2		
		Rev: 08/01/20

CU

CU- ID	CU- REF	CU- Description				
LMRE250WHPSFLD120V	19283210	LUMINARE 250W HPS FLOOD 120V				
ID	PART NUM	PART DESC	QTY		CU- REF	
1	0000001462	FLOODLIGHT MULTI TAP 250 W HIGH PRESS SODIUM 120 V	1	EA	19283210	
LMRE250WMHFLD120VMT	19283215	LUMINARE 250W MTL HALIDE FLOOD 120V MTAP				
ID	PART NUM	PART DESC	QTY		CU- REF	
1	0000015493	FLOODLIGHT 250W METAL HALIDE MULTI-TAP 120/208/240/277	1	EA	19283215	
LUMLED250W	19283230	LUMINAIRE LED 250W EQUIVALENT GRAY				
ID	PART NUM	PART DESC	QTY		CU- REF	
1	0000023547	ST LIGHT LED 250W EQUIVALENT W/DIMMING CAPABILITY GRAY	1	EA	19283230	
LUMLED250WBLK	19283235	LUMINAIRE LED 250W EQUIVALENT BLACK				
ID	PART NUM	PART DESC	QTY		CU- REF	
1	0000023781	ST LIGHT LED 250W EQUIVALENT W/DIMMING CAPABILITY BLK	1	EA	19283235	
LUMLED250WBRN	19283240	LUMINAIRE LED 250W EQUIVALENT BRN				
ID	PART NUM	PART DESC	QTY		CU- REF	
1	0000023817	ST LIGHT LED 250W EQUIVALENT W/DIMMING CAPABILITY BRN	1	EA	19283240	
LUMLED250WGRN	19283245	LUMINAIRE LED 250W EQUIVALENT GRN				
ID	PART NUM	PART DESC	QTY		CU- REF	
1	0000023819	ST LIGHT LED 250W EQUIVALENT W/DIMMING CAPABILITY GRN	1	EA	19283245	



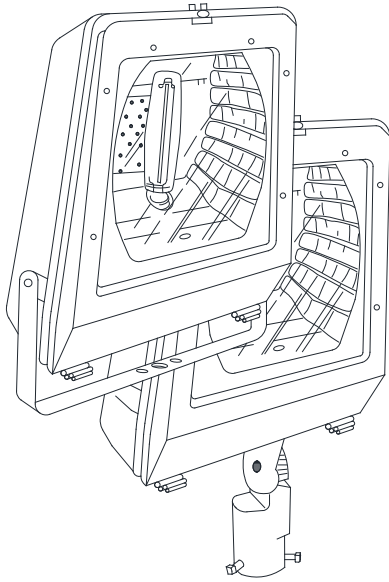
Rev: 08/01/20

ILLUMINATION
STREET LIGHT MATERIALS

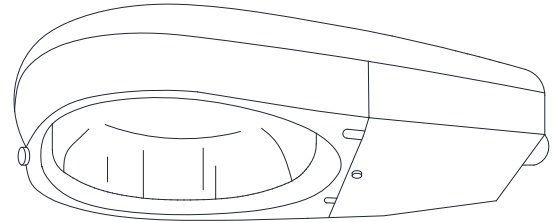
400W LUMINAIRES & 400W EQUIV LED LUMINAIRES

1928-33

Sheet 1 of 2

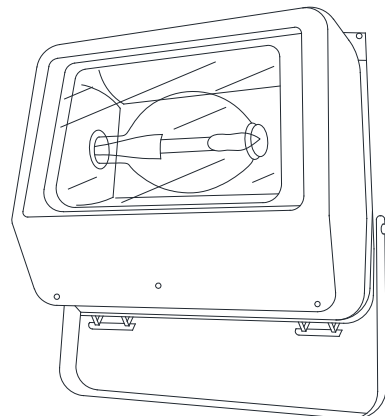


400W HPS FLOODLIGHT
MULTI-TAP WIRED
1928-33-10




400W LED COBRAHEAD
LUMINAIRE

- 400W LED EQUIVALENT
MULTI-TAP WIRED
- 1928-33-60 - GRAY
- 1928-33-65 - BLACK
- 1928-33-70 - BROWN
- 1928-33-75 - GREEN



400W HIGH MAST FLOODLIGHT
1928-33-30

400W MH PE RECEPTACLE FLOODLIGHT
1928-33-40

1928-33	ILLUMINATION	
Sheet 2 of 2	STREET LIGHT MATERIALS	
	400W LUMINARES & 400W EQUIV LED LUMINARES	
		Rev: 08/01/20

CU

CU- ID	CU- REF	CU- Description		
LMRE400WHPSFLD120/277V	19283310	LUMINARE 400W HPS FLOOD 120/277V		
ID	PART NUM	PART DESC	QTY	CU- REF
1	000001463	FLOODLIGHT MULTI TAP 400 W HIGH PRESS SODIUM	1 EA	19283310
LMRE400WHPSHMST480V	19283330	LUMINARE 400W HPS HI MAST 480V		
ID	PART NUM	PART DESC	QTY	CU- REF
1	0000019317	FLOODLIGHT 400W HPS 480V HI MAST	1 EA	19283330
LMRE400WMHFLD120/277V	19283340	LUMINARE 400W MTL HALIDE FLOOD 120/277V		
ID	PART NUM	PART DESC	QTY	CU- REF
1	000001709	FLOODLIGHT MTL HALIDE 400W WIRED 120V PHOTOCNTL RECP	1 EA	19283340
LUMLED400W	19283360	LUMINAIRE LED 400W EQUIVALENT GRAY		
ID	PART NUM	PART DESC	QTY	CU- REF
1	0000023548	ST LIGHT LED 400W EQUIVALENT W/DIMMING CAPABILITY GRAY	1 EA	19283360
LUMLED400WBLK	19283365	LUMINAIRE LED 400W EQUIVALENT BLK		
ID	PART NUM	PART DESC	QTY	CU- REF
1	0000023816	ST LIGHT LED 400W EQUIVALENT W/DIMMING CAPABILITY BLK	1 EA	19283365
LUMLED400WBRN	19283370	LUMINAIRE LED 400W EQUIVALENT BRN		
ID	PART NUM	PART DESC	QTY	CU- REF
1	0000023818	ST LIGHT LED 400W EQUIVALENT W/DIMMING CAPABILITY BRN	1 EA	19283370
LUMLED400WGRN	19283375	LUMINAIRE LED 400W EQUIVALENT GRN		
ID	PART NUM	PART DESC	QTY	CU- REF
1	0000023814	ST LIGHT LED 400W EQUIVALENT W/DIMMING CAPABILITY GRN	1 EA	19283375

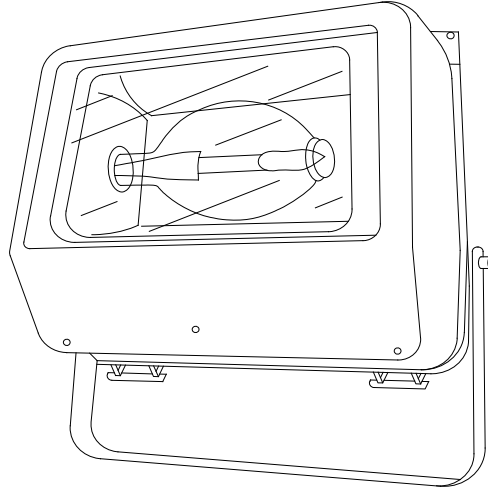


Rev: 08/01/20

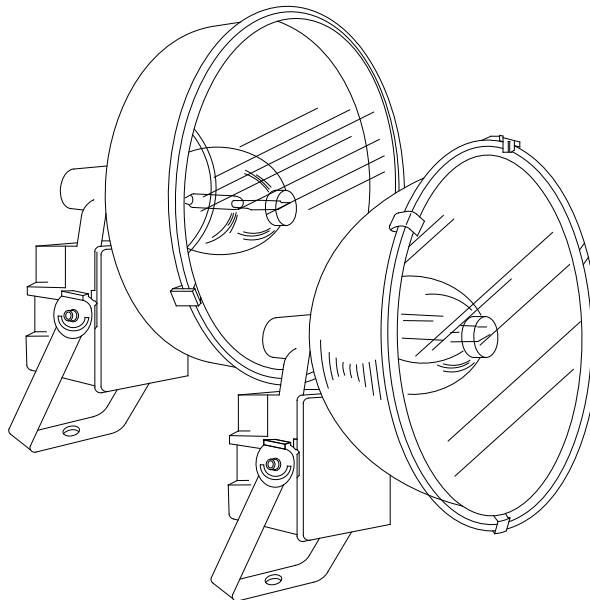
ILLUMINATION
STREET LIGHT MATERIALS
1000W AND 1500W LUMINAIRES

1928-34


Sheet 1 of 2



- 1000W MH FLOODLIGHT 480V
1928-34-10
- 1000W MH FLOODLIGHT MULTI-TAP
1928-34-15
- 1000W HPS FLOODLIGHT MULTI-TAP
1928-34-20



- 1500W MH PARABOLIC 480V
1928-34-30
- 1500W MH PARABOLIC MULTI-TAP
1928-34-35

1928-34	ILLUMINATION	
Sheet 2 of 2	STREET LIGHT MATERIALS	
	1000W AND 1500W LUMINARES	Rev: 08/01/20

CU

CU-ID	CU-REF	CU-Description		
LMRE1000WMHFLD480V	19283410	LUMINAIRE 1000W MTL HALIDE FLD 480V		
ID	PART NUM	PART DESC	QTY	CU-REF
1	0000006189	FLOODLIGHT MTL HALIDE 1000W 480 VOLT GRAY FOR TENNIS	1 EA	19283410
LMRE1000WMHFLD277V	19283415	LUMINAIRE 1000W MTL HALIDE FLD 277V		
ID	PART NUM	PART DESC	QTY	CU-REF
1	0000006187	FLOODLIGHT MV/MTL HALIDE 1000 W 277 VOLT GRAY EL038	1 EA	19283415
LMRE1000WHPSFLDMULTI-TAP	19283420	LUMINAIRE 1000W HPS FLOOD MULTI-TAP		
ID	PART NUM	PART DESC	QTY	CU-REF
1	0000006201	FLOODLIGHT HPS 1000W EL603	1 EA	19283420
LMRE1500WMHPARAB480V	19283430	LUMINAIRE 1500W MTL HALIDE PARAB 480V		
ID	PART NUM	PART DESC	QTY	CU-REF
1	0000006190	FLOODLIGHT PARABOLIC MV/MTL HALIDE 1500W 480 VOLT EL138	1 EA	19283430
LMRE1500WMHPARABMULTI	19283435	LUMINAIRE 1500W MH PARAB MULTI-TAP		
ID	PART NUM	PART DESC	QTY	CU-REF
1	0000006191	FLOODLIGHT PARABOLIC MV/ MTL HALIDE 1500W MULTI TAP	1 EA	19283435

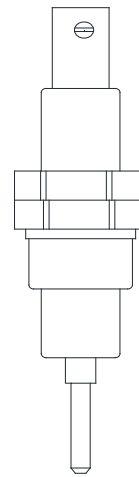
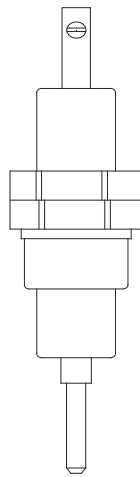
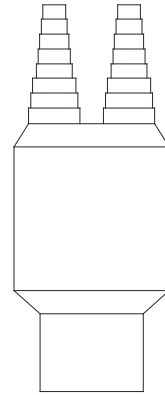
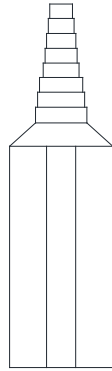


Rev: 08/01/20

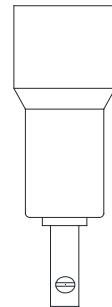
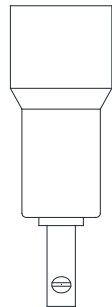
ILLUMINATION
STREET LIGHT MATERIALS
FUSES HOLDERS AND FUSES

1928-45

Sheet 1 of 2

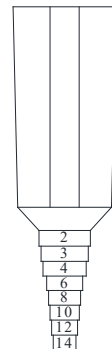
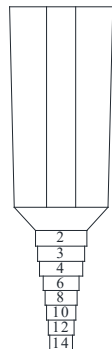



MIDGET FUSE
1928-45-20 5A
1928-45-21 10A
1928-45-22 15A
1928-45-23 20A
1928-45-24 30A



1928-45-05
ONE LINE IN
AND ONE LINE
OUT

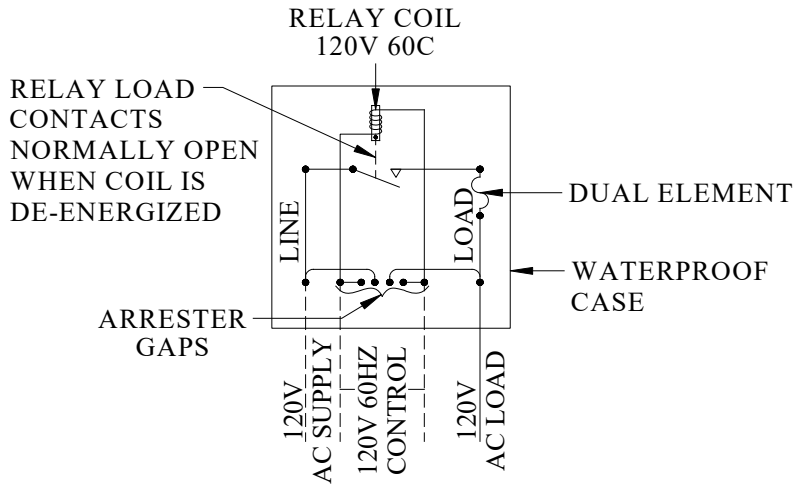
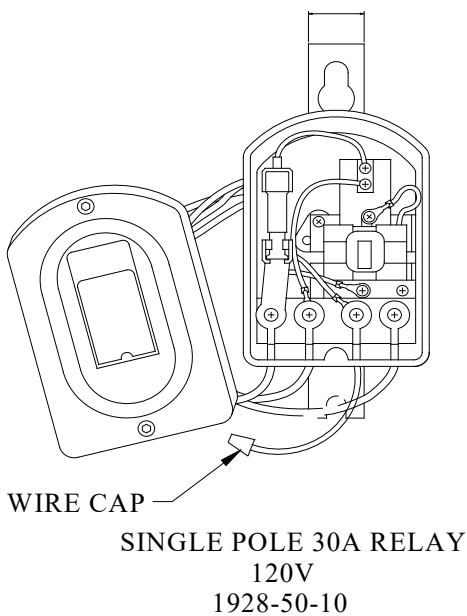
1928-45-10
TWO LINES IN
AND ONE LINE
OUT



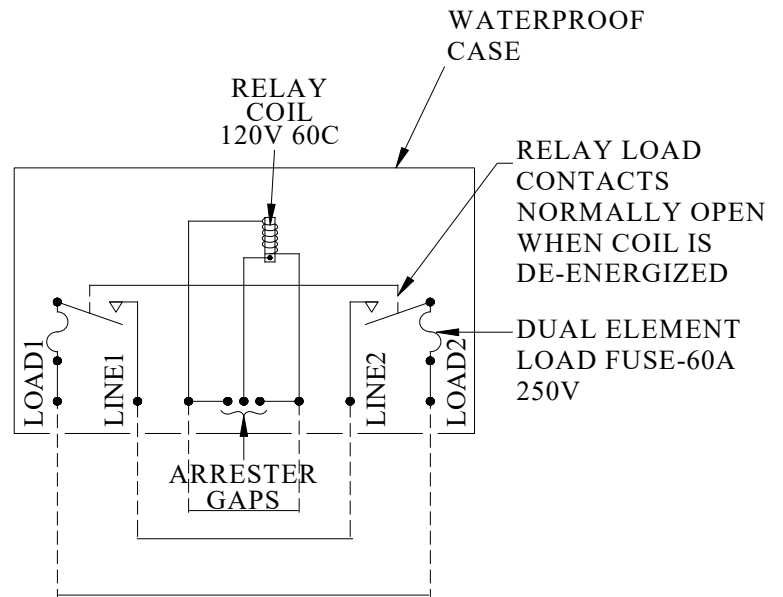
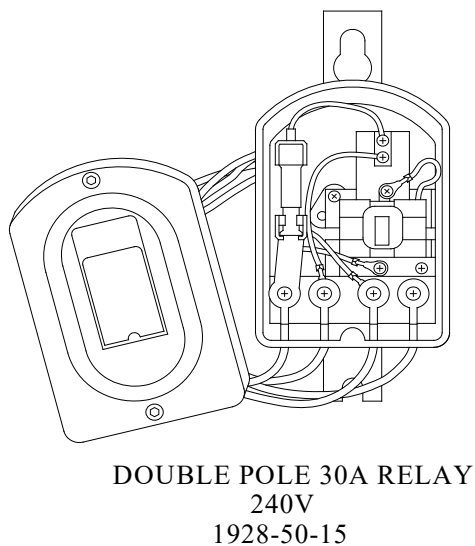
1928-45	ILLUMINATION	
Sheet 2 of 2	STREET LIGHT MATERIALS	
	FUSES HOLDERS AND FUSES	Rev: 08/01/20

CU


CU- ID	CU- REF	CU- Description		
FUSEHLDRBREAK1IN1OUT	19284505	FUSE HOLDER BREAKAWAY 1IN AND 1OUT		
ID	PART NUM	PART DESC	QTY	CU- REF
1	0000022036	HOLDER FUSE,BREAKAWAY,IN LINE, 600V, #12 TO #3 WIRE RAN	1 EA	19284505
FUSEHLDRBREAK2IN1OUT	19284510	FUSE HOLDER BREAKAWAY 2IN AND 1OUT		
ID	PART NUM	PART DESC	QTY	CU- REF
1	0000022037	HOLDER FUSE,BREAKAWAY,2 LINES IN 1 OUT,600V, #12 TO #3	1 EA	19284510
MIDGETFUSE5A600VAC	19284520	MIDGET FUSE 5 AMP 600V AC		
ID	PART NUM	PART DESC	QTY	CU- REF
1	0000022036	HOLDER FUSE,BREAKAWAY,IN LINE, 600V, #12 TO #3 WIRE RAN	1 EA	19284505
FUSEHLDRBREAK1IN1OUT	19284505	FUSE HOLDER BREAKAWAY 1IN AND 1OUT		
ID	PART NUM	PART DESC	QTY	CU- REF
1	0000022041	FUSE, MIDGET 600V AC 10 AMP FAST ACTING	1 EA	19284521
MIDGETFUSE15A600VAC	19284522	MIDGET FUSE 15 AMP 600V AC		
ID	PART NUM	PART DESC	QTY	CU- REF
1	0000022036	HOLDER FUSE,BREAKAWAY,IN LINE, 600V, #12 TO #3 WIRE RAN	1 EA	19284505
MIDGETFUSE20A600VAC	19284523	MIDGET FUSE 20 AMP 600V AC		
ID	PART NUM	PART DESC	QTY	CU- REF
1	0000022042	FUSE, MIDGET 600V AC 20 AMP FAST ACTING	1 EA	19284523
MIDGETFUSE30A600VAC	19284524	MIDGET FUSE 30 AMP 600V AC		
ID	PART NUM	PART DESC	QTY	CU- REF
1	0000022040	FUSE, MIDGET 600V AC 30 AMP FAST ACTING	1 EA	19284524



CONNECTIONS FOR SINGLE POLE 30 AMP RELAY



CONNECTIONS FOR DOUBLE POLE 30 AMP RELAY

1928-50	ILLUMINATION	
Sheet 2 of 2	STREET LIGHT MATERIALS	
	RELAYS 30 AMP	
		Rev: 08/01/20

CU

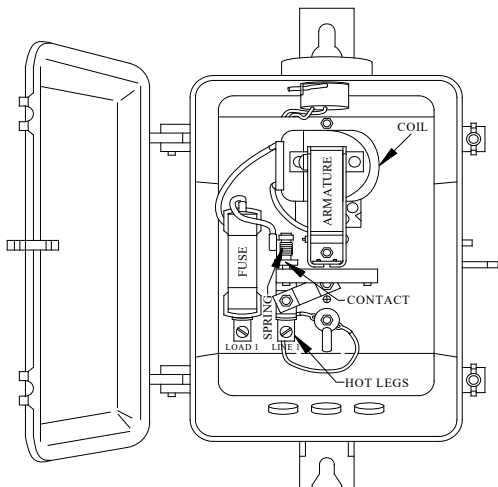
CU-ID	CU-REF	CU-Description
--------------	---------------	-----------------------

RELAY30A1P	19285010	RELAY 30 AMP 1 POLE
------------	----------	---------------------

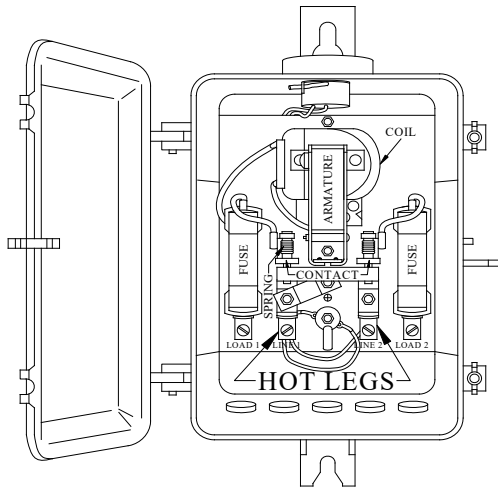
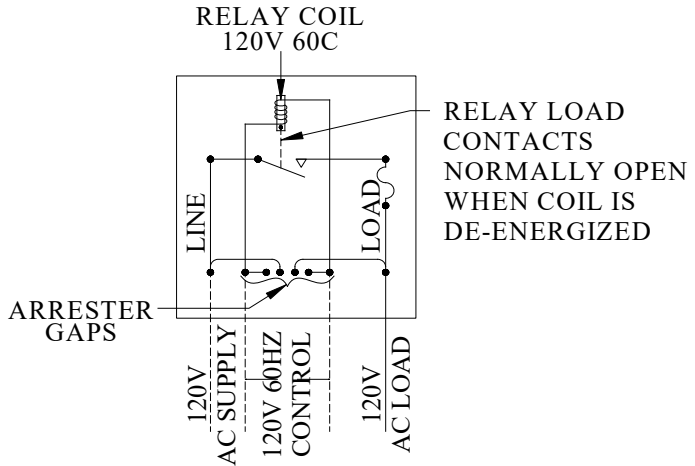
ID	PART NUM	PART DESC	QTY		CU-REF
1	0000006234	RELAY MULTIPLE OPEN LOAD CONTACTOR HVY DUTY 30 AMP	1	EA	19285010

RELAY30A2P	19285015	RELAY 30 AMP 2 POLE
------------	----------	---------------------

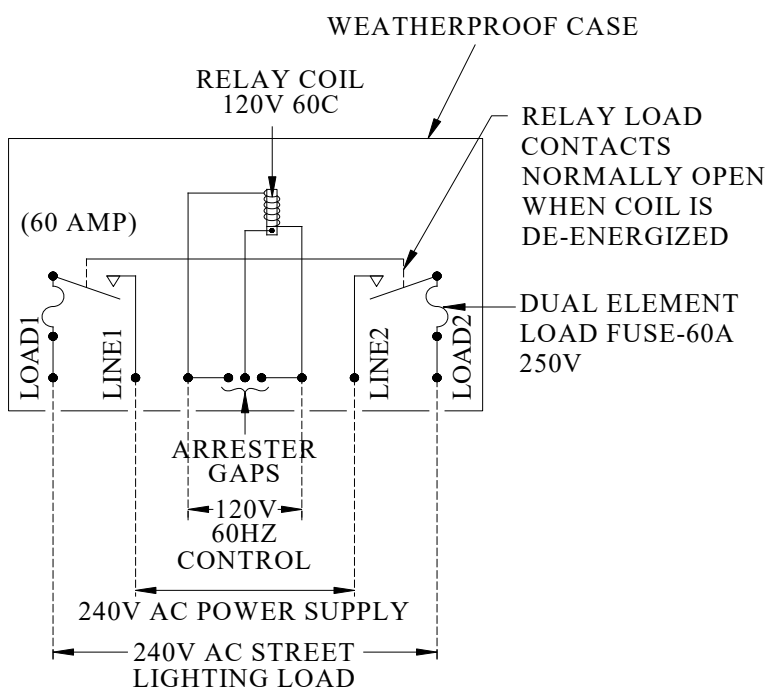
ID	PART NUM	PART DESC	QTY		CU-REF
1	0000000047	RELAY 2-POLE 30 AMP 120/240V TRINETIC #MR-WC/6407	1	EA	19285015




SINGLE POLE 60A RELAY
1928-55-20



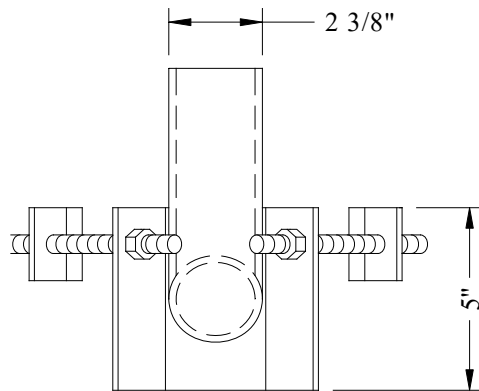
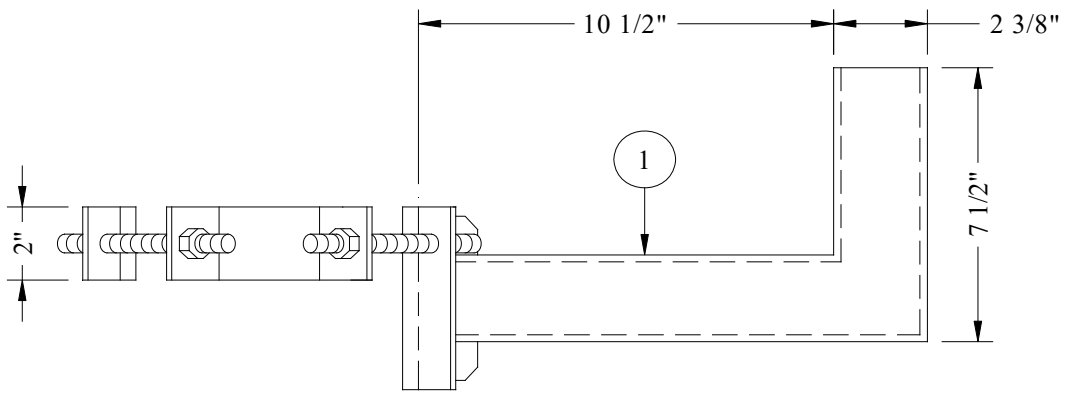
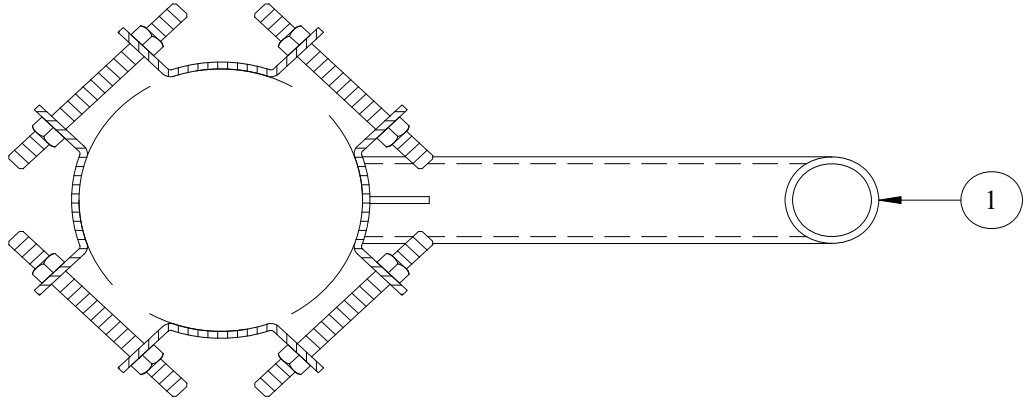
DOUBLE POLE 60A RELAY
1928-55-25




1928-55	ILLUMINATION	
Sheet 2 of 2	STREET LIGHT MATERIALS	
	RELAYS 60 AMP	
		Rev: 08/01/20

CU

CU-ID	CU-REF	CU-Description		
RELAY60A1P	19285520	RELAY 60 AMP 1 POLE		
ID	PART NUM	PART DESC	QTY	CU-REF
1	0000015501	RELAY ST LIGHT CONTROL MULTIPLE 60 AMP SINGLE POLE	1 EA	19285520
RELAY60A2P	19285525	RELAY 60 AMP 2- POLE		
ID	PART NUM	PART DESC	QTY	CU-REF
1	0000000280	RELAY 2-POLE 60AMP 120/240V	1 EA	19285525




POLE MOUNT P/M
FLOODLIGHT MOUNTING
BRACKET
1928-60-05

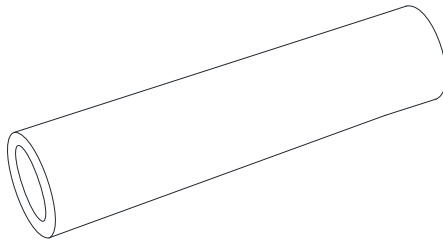
1928-60	<p style="text-align: center;">ILLUMINATION STREET LIGHT MATERIALS BRACKET ARM</p>	
Sheet 2 of 2		
		Rev: 08/01/20

CU


CU-ID	CU-REF	CU-Description
BRKTM TASSY FLOOD LTWP	19286005	BRKT MOUNT ASSY FOR FLOOD LT WOOD POLE

ID	PART NUM	PART DESC	QTY	CU-REF
1	000006746	BRACKET MOUNTING ASSY WOOD POLE FLOODLIGHT STD	1 EA	19286005

	ILLUMINATION STREET LIGHT MATERIALS FLEX CONDUIT NON-METALIC	1928-65
		Sheet 1 of 2
Rev: 08/01/20		



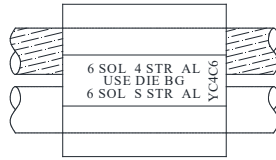
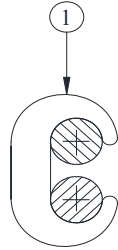
FLEX CONDUIT NON-METALIC
WATER TIGHT
1928-65-15 1FT

1928-65	ILLUMINATION STREET LIGHT MATERIALS FLEX CONDUIT NON-METALIC	
Sheet 2 of 2		Rev: 08/01/20

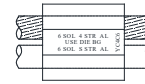
CU

CU-ID	CU-REF	CU-Description
CONDIFLEX3/4IN1000FTREEL	19286515	CONDUIT 3/4 IN FLEX WATER TIGHT 1000FT

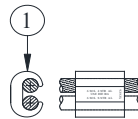
ID	PART NUM	PART DESC	QTY	CU-REF
1	0000023327	CONDUIT FLEX 3/4 IN 1000 FT REEL LFNC-B	1 FT	19286515



#4 TO #4
 COMPRESSION CLAMP AL
 1928-70-01




#6 TO #4
 COMPRESSION CLAMP CU
 1928-70-02



#10 TO #12
 COMPRESSION CLAMP CU
 1928-70-03



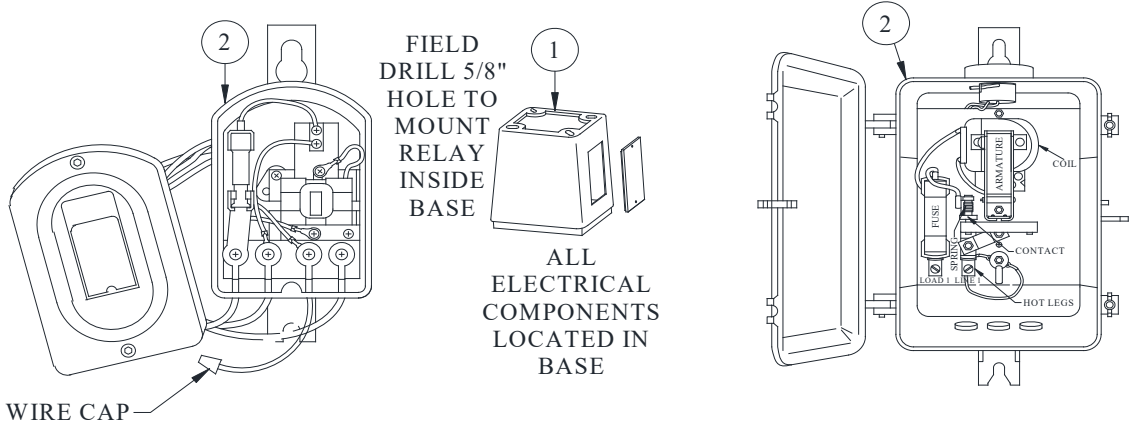
#4 TO #12
 COMPRESSION TAP
 1928-70-04

1928-70	ILLUMINATION	
Sheet 2 of 3	STREET LIGHT MATERIALS	
	CONNECTORS AND SPLICES	Rev: 08/01/20

CU

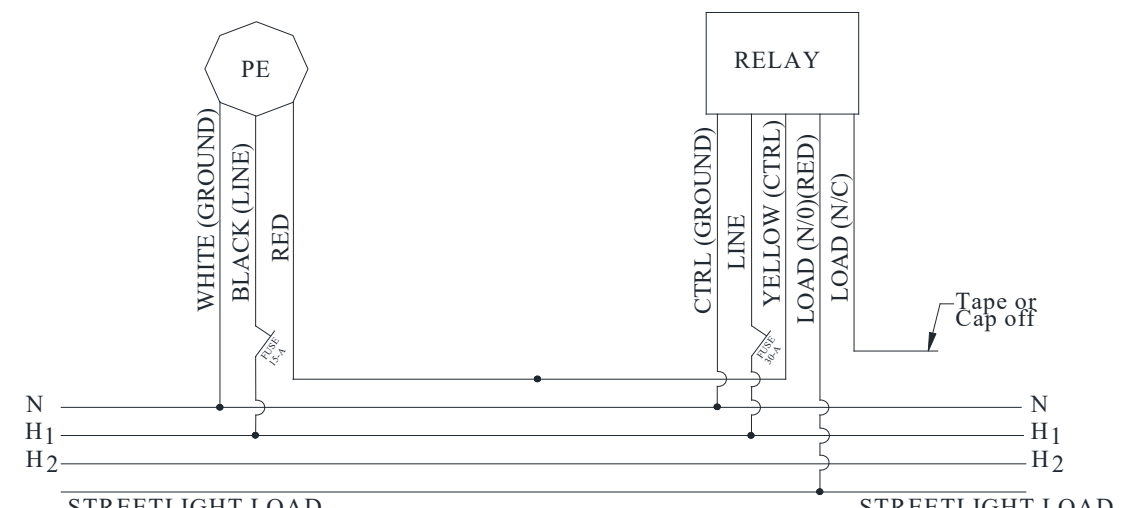
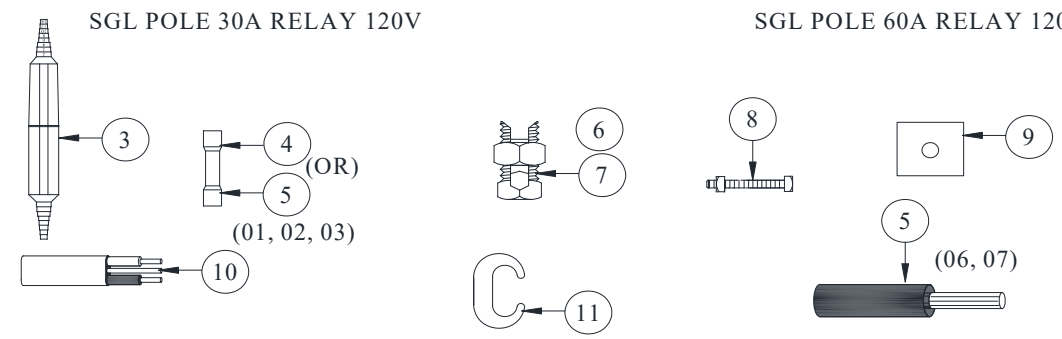
CU- ID	CU- REF	CU- Description		
CLMPCOMP4/4	19287001	CLAMP COMPRESSION #4 TO #4		
ID	PART NUM	PART DESC	QTY	CU- REF
1	0000005534	TAP COMP C TY # 4 ALUM - # 4 ALUM	1 EA	19287001
CLPCOMPCU6/4	19287002	CLAMP COMPRESSION CU #6 TO #4		
ID	PART NUM	PART DESC	QTY	CU- REF
1	0000001301	CONNECTOR COMPRESSION C-SHAPE #6 SOL - #4 STR	1 EA	19287002
CLMPCOMP4/12	19287003	CLAMP COMPRESSION CU #10 TO #12		
ID	PART NUM	PART DESC	QTY	CU- REF
1	0000007244	TAP COMP C TY COP # 10-12	1 EA	19287003
COMPTAP4/12	19287004	COMPRESSION TAP #4 TO #12		
ID	PART NUM	PART DESC	QTY	CU- REF
1	0000005533	TAP COMP H TY #4 ALUM - #12 COP	1 EA	19287004

1931




SGL POLE 30A RELAY 120V

SGL POLE 60A RELAY 120V



- 1931-10-01 1P 30A W/BASE 25/30FT
- 1931-10-02 1P 30A W/BASE 25/35FT
- 1931-10-03 1P 30A W/BASE 45FT

- 1931-10-06 1P 60A W/BASE 35/40FT
- 1931-10-07 1P 60A W/BASE 45FT

1931-10	ILLUMINATION POWER STATIONS POWER STATIONS 120V	
Sheet 2 of 4		
		Rev: 08/01/20

CU


CU-ID CU-REF CU-Description

PWST1P30AW/BASE25/30FT 19311001 POWER STATION 1P 30 AMP W/BASE 25/30FT

ID	PART NUM	PART DESC	QTY		CU-REF
001	0000006727	SLPA BASE AL 25/30 FT POLE 11 BHC TOP/BOTTOM 20 IN HI	1	EA	19311001
002	0000006234	RELAY MULTIPLE OPEN LOAD CONTACTOR HVY DUTY 30 AMP	1	EA	19311001
003	0000022036	HOLDER FUSE,BREAKAWAY,IN LINE, 600V, #12 TO #3 WIRE RAN	2	EA	19311001
004	0000022039	FUSE, MIDGET 600V AC 15 AMP FAST ACTING	1	EA	19311001
005	0000022040	FUSE, MIDGET 600V AC 30 AMP FAST ACTING	1	EA	19311001
006	0000006805	CONNECTOR SPLIT BOLT #4 SOLID COP	2	EA	19311001
007	0000006807	CONNECTOR SPLIT BOLT #8 SOLID COP	2	EA	19311001
008	0000008416	BOLT MACH SQ HEAD HOT DIP GALV G5 5/8 X 3	1	EA	19311001
009	0000008499	WASHER SQ HOT DIP GALV 2-1/4 IN X 2-1/4 IN X 3/16 IN	1	EA	19311001
010	0000001870	CABLE TYPE UF-B UG FEEDER #12 AWG 2C COPPER W/GROUND	45	EA	19311001
011	0000007244	TAP COMP C TY COP # 10-12	4	EA	19311001

PWST1P30AW/BASE25/35FT 19311002 POWER STATION 1P 30 AMP W/BASE 25/35FT

ID	PART NUM	PART DESC	QTY		CU-REF
001	0000006728	SLPA BASE ALUM FOR 45-50 FT POLE	1	EA	19311002
002	0000006234	RELAY MULTIPLE OPEN LOAD CONTACTOR HVY DUTY 30 AMP	1	EA	19311002
003	0000022036	HOLDER FUSE,BREAKAWAY,IN LINE, 600V, #12 TO #3 WIRE RAN	2	EA	19311002
004	0000022039	FUSE, MIDGET 600V AC 15 AMP FAST ACTING	1	EA	19311002
005	0000022040	FUSE, MIDGET 600V AC 30 AMP FAST ACTING	1	EA	19311002
006	0000006805	CONNECTOR SPLIT BOLT #4 SOLID COP	2	EA	19311002
007	0000006807	CONNECTOR SPLIT BOLT #8 SOLID COP	2	EA	19311002
008	0000008416	BOLT MACH SQ HEAD HOT DIP GALV G5 5/8 X 3	1	EA	19311002
009	0000008499	WASHER SQ HOT DIP GALV 2-1/4 IN X 2-1/4 IN X 3/16 IN	1	EA	19311002
010	0000001870	CABLE TYPE UF-B UG FEEDER #12 AWG 2C COPPER W/GROUND	65	EA	19311002
011	0000007244	TAP COMP C TY COP # 10-12	4	EA	19311002

1931-10	ILLUMINATION	
Sheet 4 of 4	POWER STATIONS	
	POWER STATIONS 120V	Rev: 08/01/20

CU-ID	CU-REF	CU-Description
PWST1P60AW/BASE45/50FT	19311007	POWER STATION 1P 60 AMP W/BASE 45/50 FT

ID	PART NUM	PART DESC	QTY		CU-REF
001	0000006728	SLPA BASE ALUM FOR 45-50 FT POLE	1	EA	19311007
002	0000015501	RELAY ST LIGHT CONTROL MULTIPLE 60 AMP SINGLE POLE	1	EA	19311007
003	0000022036	HOLDER FUSE,BREAKAWAY,IN LINE, 600V, #12 TO #3 WIRE RAN	1	EA	19311007
004	0000022039	FUSE, MIDGET 600V AC 15 AMP FAST ACTING	1	EA	19311007
006	0000006805	CONNECTOR SPLIT BOLT #4 SOLID COP	2	EA	19311007
007	0000006807	CONNECTOR SPLIT BOLT #8 SOLID COP	2	EA	19311007
008	0000008416	BOLT MACH SQ HEAD HOT DIP GALV G5 5/8 X 3	1	EA	19311007
009	0000008499	WASHER SQ HOT DIP GALV 2-1/4 IN X 2-1/4 IN X 3/16 IN	1	EA	19311007
010	0000001870	CABLE TYPE UF-B UG FEEDER #12 AWG 2C COPPER W/GROUND	70	EA	19311007
011	0000007244	TAP COMP C TY COP # 10-12	4	EA	19311007
5	0000022040	FUSE, MIDGET 600V AC 30 AMP FAST ACTING	1	EA	19311007

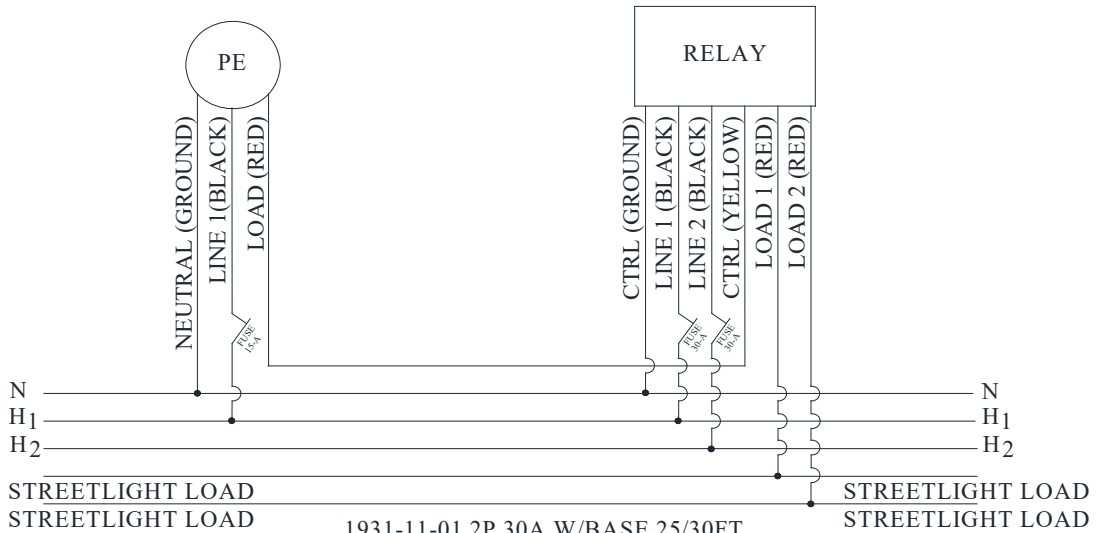
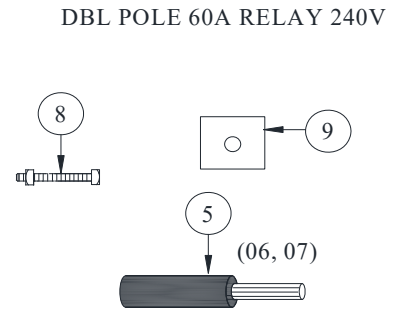
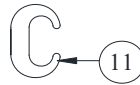
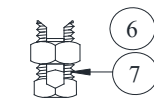
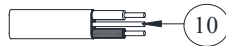
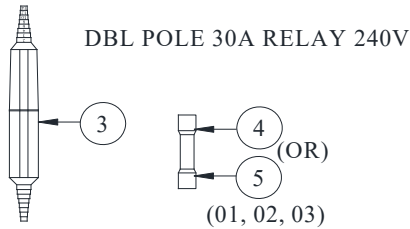
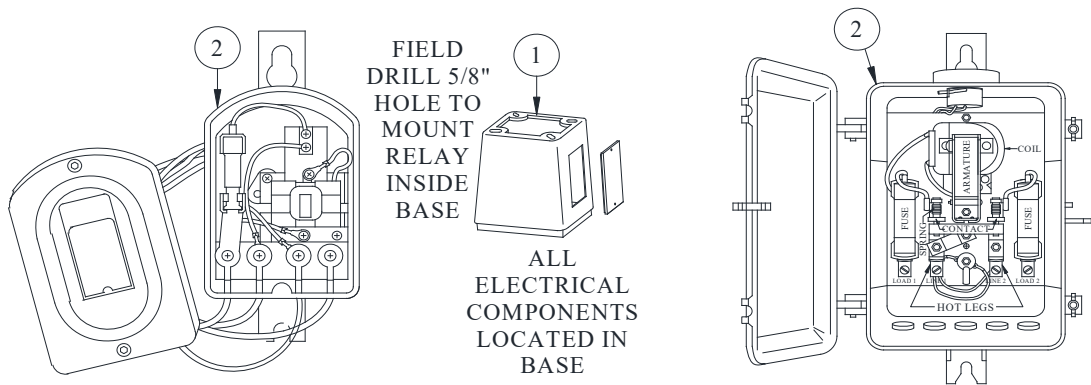


Rev: 08/01/20

ILLUMINATION
POWER STATIONS
POWER STATIONS 240V


1931-11

Sheet 1 of 4



1931-11-01 2P 30A W/BASE 25/30FT
1931-11-02 2P 30A W/BASE 35/40FT
1931-11-03 2P 30A W/BASE 45FT

1931-11-06 2P 60A W/BASE 35/40FT
1931-11-07 2P 60A W/BASE 45FT

1931-11	ILLUMINATION POWER STATIONS POWER STATIONS 240V	
Sheet 2 of 4		Rev: 08/01/20

CU


CU-ID CU-REF CU-Description

PWST2P30AW/BASE25/30FT 19311101 POWER STATION 2P 30 AMP W/BASE 25/30FT

ID	PART NUM	PART DESC	QTY		CU-REF
001	0000006727	SLPA BASE AL 25/30 FT POLE 11 BHC TOP/BOTTOM 20 IN HI	1	EA	19311101
002	0000000047	RELAY 2-POLE 30 AMP 120/240V TRINETIC #MR-WC/6407	1	EA	19311101
003	0000022036	HOLDER FUSE,BREAKAWAY,IN LINE, 600V, #12 TO #3 WIRE RAN	3	EA	19311101
004	0000022039	FUSE, MIDGET 600V AC 15 AMP FAST ACTING	1	EA	19311101
005	0000022040	FUSE, MIDGET 600V AC 30 AMP FAST ACTING	2	EA	19311101
006	0000006805	CONNECTOR SPLIT BOLT #4 SOLID COP	3	EA	19311101
007	0000006807	CONNECTOR SPLIT BOLT #8 SOLID COP	3	EA	19311101
008	0000008416	BOLT MACH SQ HEAD HOT DIP GALV G5 5/8 X 3	1	EA	19311101
009	0000008499	WASHER SQ HOT DIP GALV 2-1/4 IN X 2-1/4 IN X 3/16 IN	1	EA	19311101
010	0000001870	CABLE TYPE UF-B UG FEEDER #12 AWG 2C COPPER W/GROUND	45	EA	19311101
011	0000007244	TAP COMP C TY COP # 10-12	6	EA	19311101

PWST2P30AW/BASE25/35FT 19311102 POWER STATION 2P 30 AMP W/BASE 25/35FT

ID	PART NUM	PART DESC	QTY		CU-REF
001	0000006728	SLPA BASE ALUM FOR 45-50 FT POLE	1	EA	19311102
002	0000000047	RELAY 2-POLE 30 AMP 120/240V TRINETIC #MR-WC/6407	1	EA	19311102
003	0000022036	HOLDER FUSE,BREAKAWAY,IN LINE, 600V, #12 TO #3 WIRE RAN	3	EA	19311102
004	0000022039	FUSE, MIDGET 600V AC 15 AMP FAST ACTING	1	EA	19311102
005	0000022040	FUSE, MIDGET 600V AC 30 AMP FAST ACTING	2	EA	19311102
006	0000006805	CONNECTOR SPLIT BOLT #4 SOLID COP	3	EA	19311102
007	0000006807	CONNECTOR SPLIT BOLT #8 SOLID COP	3	EA	19311102
008	0000008416	BOLT MACH SQ HEAD HOT DIP GALV G5 5/8 X 3	1	EA	19311102
009	0000008499	WASHER SQ HOT DIP GALV 2-1/4 IN X 2-1/4 IN X 3/16 IN	1	EA	19311102
010	0000001870	CABLE TYPE UF-B UG FEEDER #12 AWG 2C COPPER W/GROUND	65	EA	19311102
011	0000007244	TAP COMP C TY COP # 10-12	6	EA	19311102

 Rev: 08/01/20	ILLUMINATION POWER STATIONS POWER STATIONS 240V	1931-11 Sheet 3 of 4


CU-ID	CU-REF	CU-Description
--------------	---------------	-----------------------

PWST2P30AW/BASE45/50FT	19311103	POWER STATION 2P 30 AMP W/BASE 45/50 FT
------------------------	----------	---

ID	PART NUM	PART DESC	QTY		CU-REF
001	0000006728	SLPA BASE ALUM FOR 45-50 FT POLE	1	EA	19311103
002	0000000047	RELAY 2-POLE 30 AMP 120/240V TRINETIC #MR-WC/6407	1	EA	19311103
003	0000022036	HOLDER FUSE,BREAKAWAY,IN LINE, 600V, #12 TO #3 WIRE RAN	3	EA	19311103
004	0000022039	FUSE, MIDGET 600V AC 15 AMP FAST ACTING	1	EA	19311103
005	0000022040	FUSE, MIDGET 600V AC 30 AMP FAST ACTING	2	EA	19311103
006	0000006805	CONNECTOR SPLIT BOLT #4 SOLID COP	3	EA	19311103
007	0000006807	CONNECTOR SPLIT BOLT #8 SOLID COP	3	EA	19311103
008	0000008416	BOLT MACH SQ HEAD HOT DIP GALV G5 5/8 X 3	1	EA	19311103
009	0000008499	WASHER SQ HOT DIP GALV 2-1/4 IN X 2-1/4 IN X 3/16 IN	1	EA	19311103
010	0000001870	CABLE TYPE UF-B UG FEEDER #12 AWG 2C COPPER W/GROUND	70	EA	19311103
011	0000007244	TAP COMP C TY COP # 10-12	6	EA	19311103

PWST2P60AW/BASE25/35FT	19311106	POWER STATION 2P 60 AMP W/BASE 25/35 FT
------------------------	----------	---

ID	PART NUM	PART DESC	QTY		CU-REF
001	0000006728	SLPA BASE ALUM FOR 45-50 FT POLE	1	EA	19311106
002	0000000280	RELAY 2-POLE 60AMP 120/240V	1	EA	19311106
003	0000022036	HOLDER FUSE,BREAKAWAY,IN LINE, 600V, #12 TO #3 WIRE RAN	1	EA	19311106
004	0000022039	FUSE, MIDGET 600V AC 15 AMP FAST ACTING	1	EA	19311106
005	0000022040	FUSE, MIDGET 600V AC 30 AMP FAST ACTING	1	EA	19311106
006	0000006805	CONNECTOR SPLIT BOLT #4 SOLID COP	3	EA	19311106
007	0000006807	CONNECTOR SPLIT BOLT #8 SOLID COP	3	EA	19311106
008	0000008416	BOLT MACH SQ HEAD HOT DIP GALV G5 5/8 X 3	1	EA	19311106
009	0000008499	WASHER SQ HOT DIP GALV 2-1/4 IN X 2-1/4 IN X 3/16 IN	1	EA	19311106
010	0000001870	CABLE TYPE UF-B UG FEEDER #12 AWG 2C COPPER W/GROUND	65	EA	19311106
011	0000007244	TAP COMP C TY COP # 10-12	6	EA	19311106

1931-11	ILLUMINATION POWER STATIONS POWER STATIONS 240V	
Sheet 4 of 4		
		Rev: 08/01/20

CU-ID	CU-REF	CU-Description
--------------	---------------	-----------------------

PWST2P60AW/BASE45/50FT	19311107	POWER STATION 2P 60 AMP W/BASE 45/50 FT
------------------------	----------	---

ID	PART NUM	PART DESC	QTY	EA	CU-REF
001	0000006728	SLPA BASE ALUM FOR 45-50 FT POLE	1	EA	19311107
002	0000000280	RELAY 2-POLE 60AMP 120/240V	1	EA	19311107
003	0000022036	HOLDER FUSE,BREAKAWAY,IN LINE, 600V, #12 TO #3 WIRE RAN	1	EA	19311107
004	0000022039	FUSE, MIDGET 600V AC 15 AMP FAST ACTING	1	EA	19311107
005	0000022040	FUSE, MIDGET 600V AC 30 AMP FAST ACTING	1	EA	19311107
006	0000006805	CONNECTOR SPLIT BOLT #4 SOLID COP	3	EA	19311107
007	0000006807	CONNECTOR SPLIT BOLT #8 SOLID COP	3	EA	19311107
008	0000008416	BOLT MACH SQ HEAD HOT DIP GALV G5 5/8 X 3	1	EA	19311107
009	0000008499	WASHER SQ HOT DIP GALV 2-1/4 IN X 2-1/4 IN X 3/16 IN	1	EA	19311107
010	0000001870	CABLE TYPE UF-B UG FEEDER #12 AWG 2C COPPER W/GROUND	70	EA	19311107
011	0000007244	TAP COMP C TY COP # 10-12	6	EA	19311107



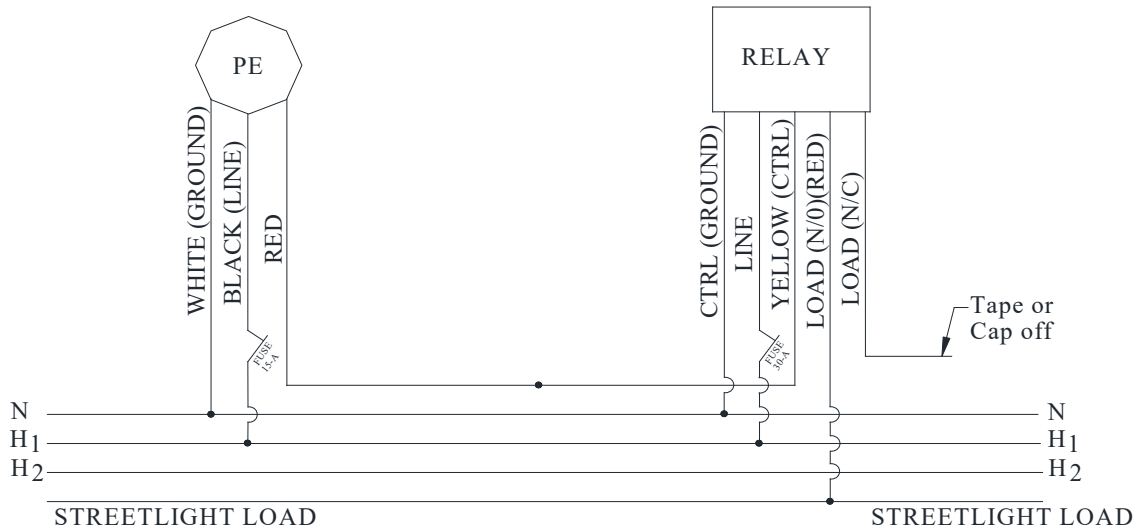
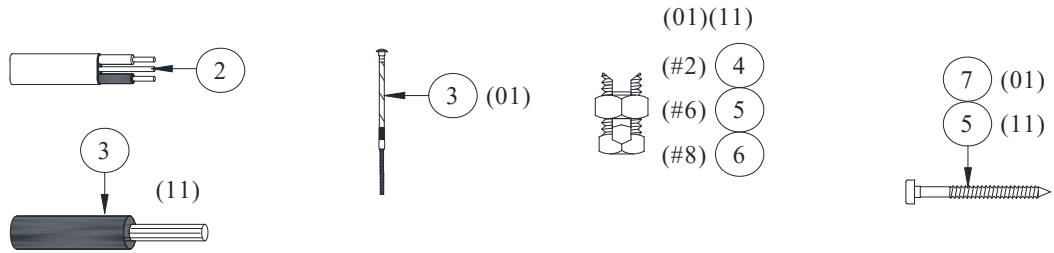
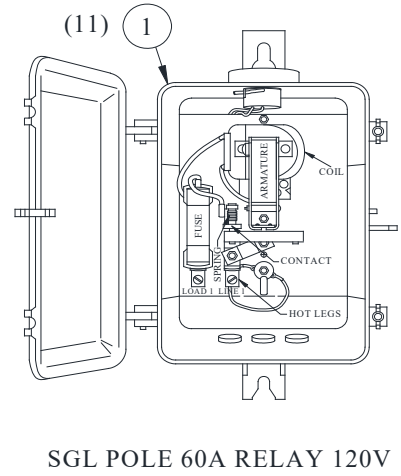
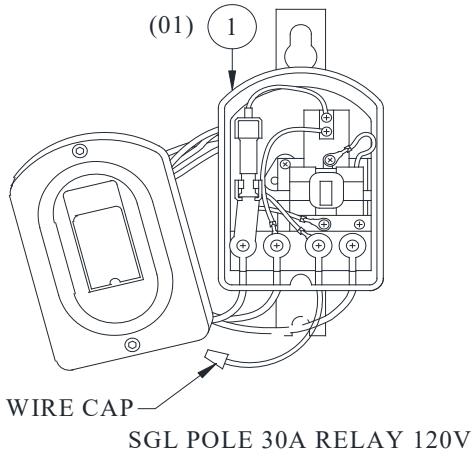
Rev: 08/01/20

ILLUMINATION
POWER STATIONS


POWER STATION 120V FOR WOOD POLE

1931-15

Sheet 1 of 2



1931-15-01 1P 30A
1931-15-11 1P 60A

1931-15	ILLUMINATION POWER STATIONS POWER STATION 120V FOR WOOD POLE	
Sheet 2 of 2		
		Rev: 08/01/20

CU

CU-ID	CU-REF	CU-Description
--------------	---------------	-----------------------

PWST1P30AWP	19311501	POWER STATION 1P 30 AMP WOOD POLE
-------------	----------	-----------------------------------

ID	PART NUM	PART DESC	QTY		CU-REF
001	000006234	RELAY MULTIPLE OPEN LOAD CONTACTOR HVY DUTY 30 AMP	1	EA	19311501
002	000001870	CABLE TYPE UF-B UG FEEDER #12 AWG 2C COPPER W/GROUND	35	EA	19311501
003	0000022438	FUSE LINK FITALL 30 AMP TYPE 200 (N)	1	EA	19311501
004	000006804	CONNECTOR SPLIT BOLT #2 STRD COP	1	EA	19311501
005	000006806	CONNECTOR SPLIT BOLT #6 SOLID COP	1	EA	19311501
006	000006807	CONNECTOR SPLIT BOLT #8 SOLID COP	1	EA	19311501
007	000008443	BOLT LAG HOT DIP GALV FETTER DRIVE G5CT 1/2 X 4	1	EA	19311501

PWST1P60AWP	19311511	POWER STATION 1P 60 AMP WOOD POLE
-------------	----------	-----------------------------------

ID	PART NUM	PART DESC	QTY		CU-REF
001	0000015501	RELAY ST LIGHT CONTROL MULTIPLE 60 AMP SINGLE POLE	1	EA	19311511
002	000001870	CABLE TYPE UF-B UG FEEDER #12 AWG 2C COPPER W/GROUND	35	EA	19311511
003	000004674	CABLE SINGLE CONDUCTOR 600V #6 XLP 3000/FT	10	EA	19311511
004	000006806	CONNECTOR SPLIT BOLT #6 SOLID COP	1	EA	19311511
005	000008443	BOLT LAG HOT DIP GALV FETTER DRIVE G5CT 1/2 X 4	1	EA	19311511



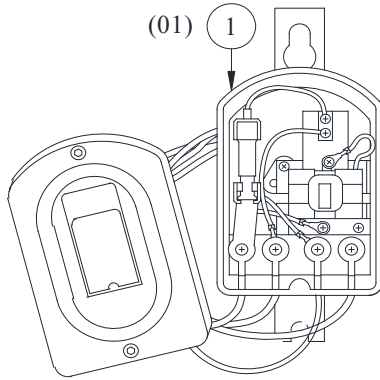
Rev: 08/01/20

ILLUMINATION
POWER STATIONS

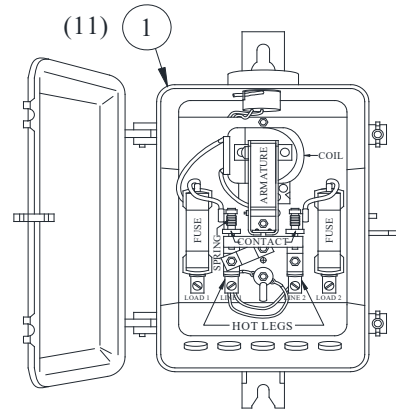
POWER STATION 240V FOR WOOD POLE

1931-16

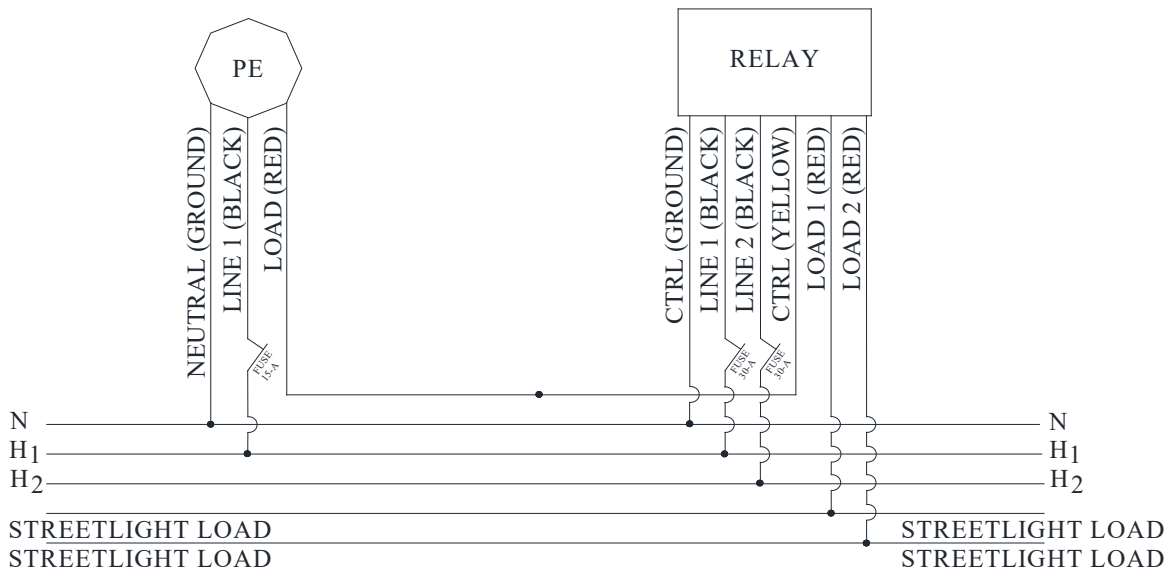
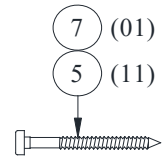
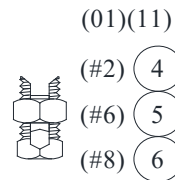
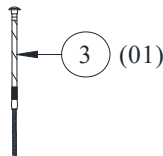
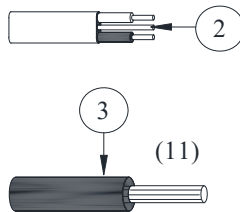
Sheet 1 of 2



DBL POLE 30A RELAY 240V



DBL POLE 60A RELAY 240V



1931-16-01 2P 30A
1931-16-11 2P 30A

